

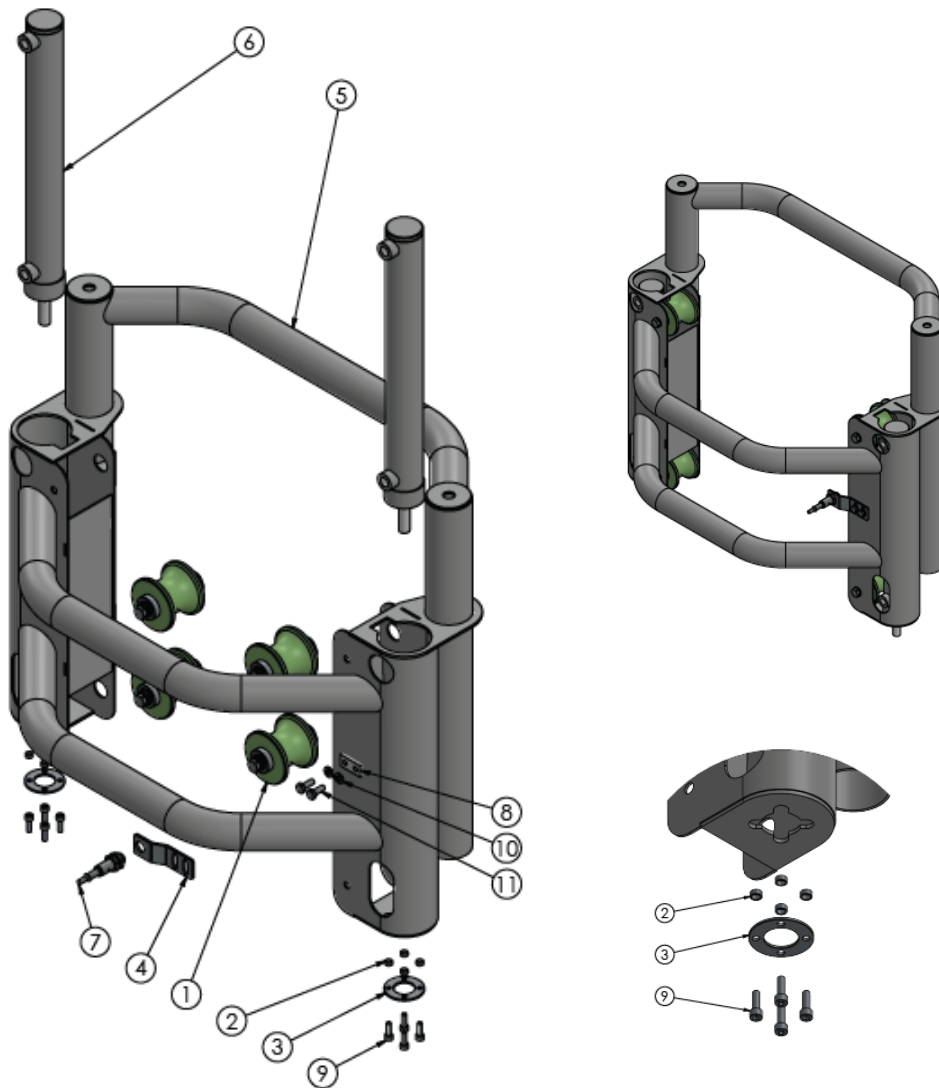
WINTEX 3000

Spare parts catalogue

The future is in the soil -
and in professional soil samples

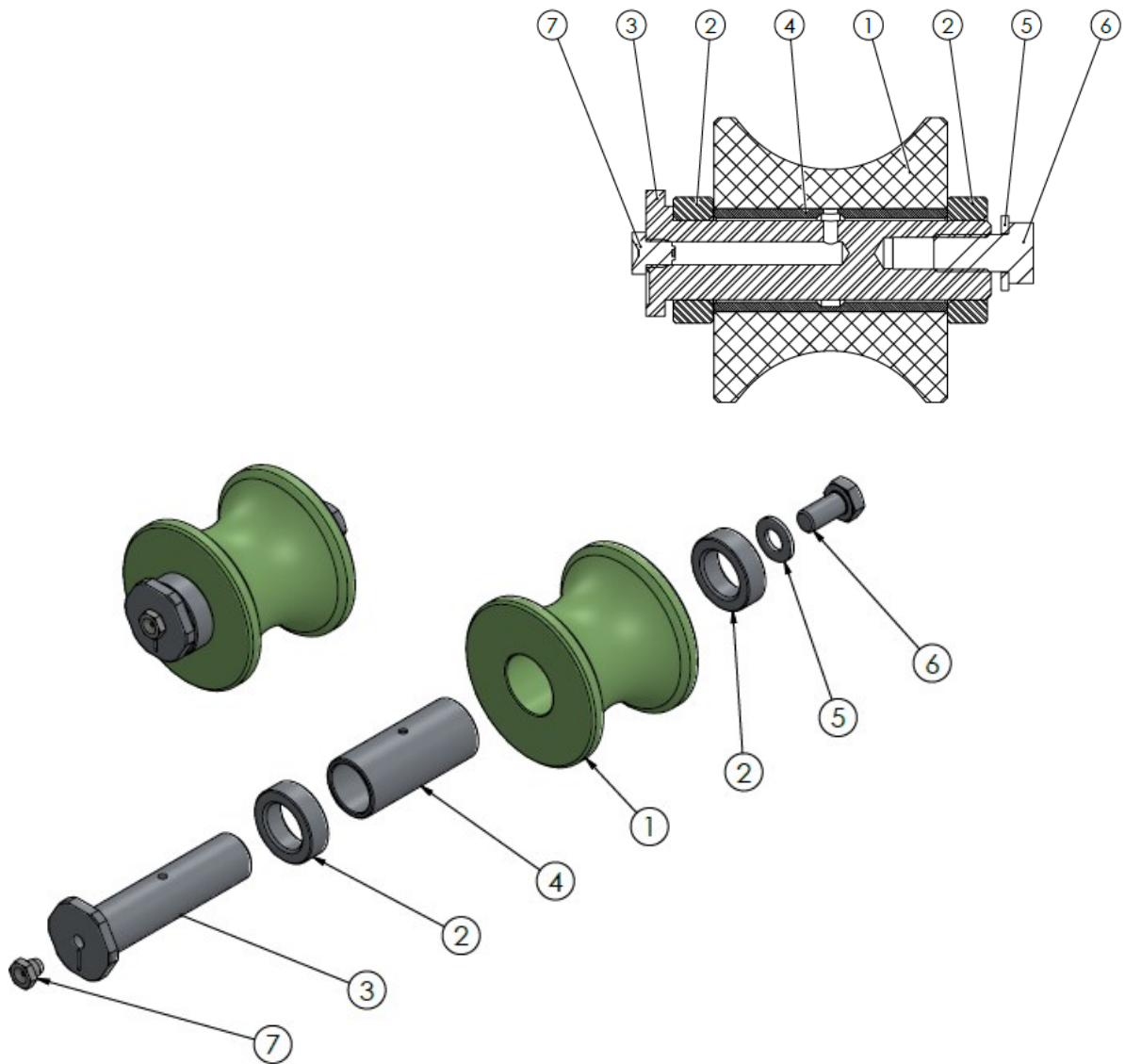


Fixed frame



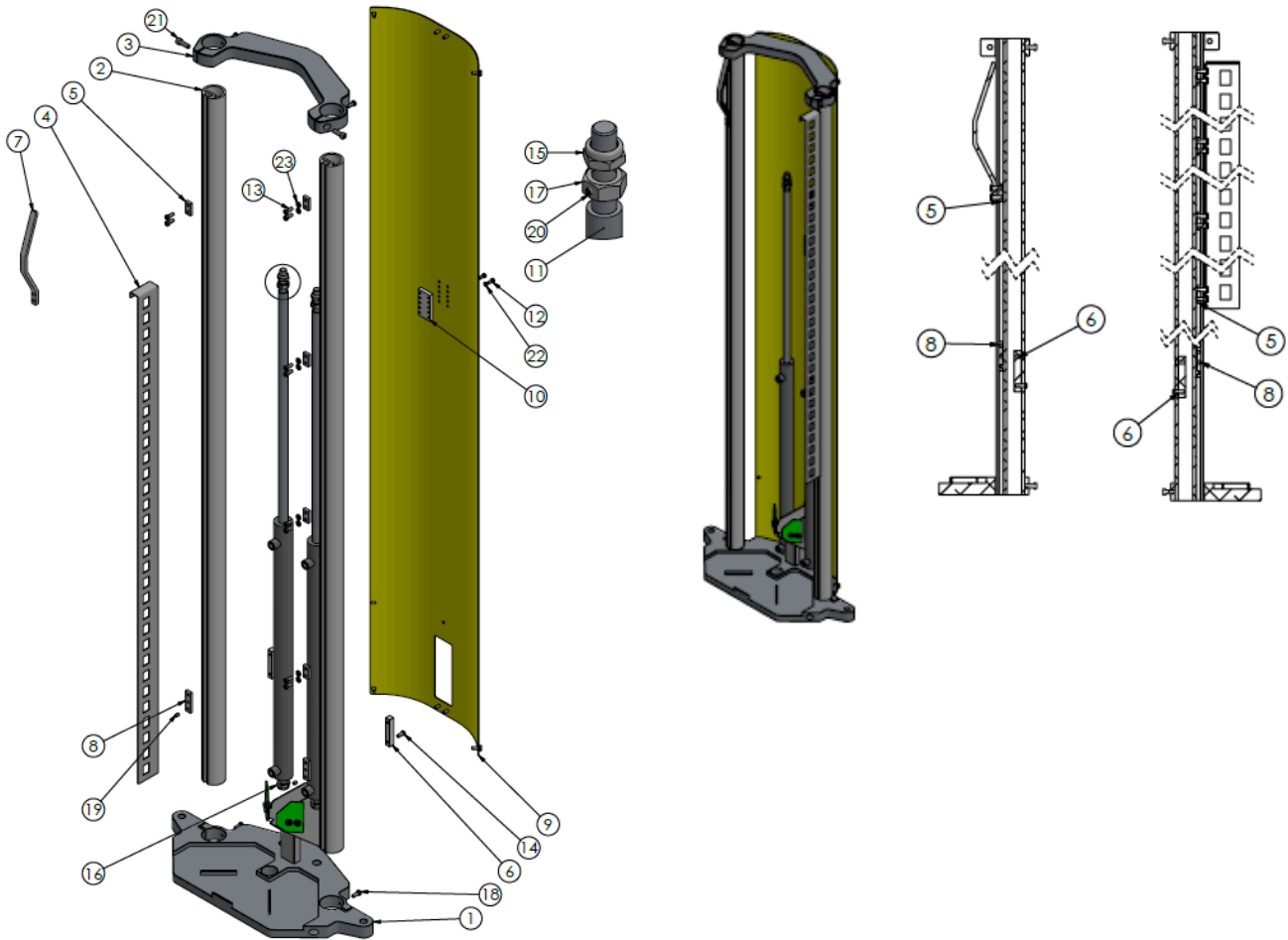
PART	ART. NO.	ARTICLE
1	50101038	Guiding roll
2	50101015	Spacer ring for Jack cylinder
3	50101016	Cylinder washer
4	50101017	Sensor fitting f. foot
5	50101018	Fixed frame
6	50101020 50101232	Jack cylinder V12 Jack cylinder V12 + 10 cm
7	50101021	Sensor
8	50101027	Retaining plate M6-C16
9	60101059	Insex bolt, M5x16 mm
10	60101071	Washer, M6 mm
11	60101287	Hex bolt, M6x16 mm

Guiding roll



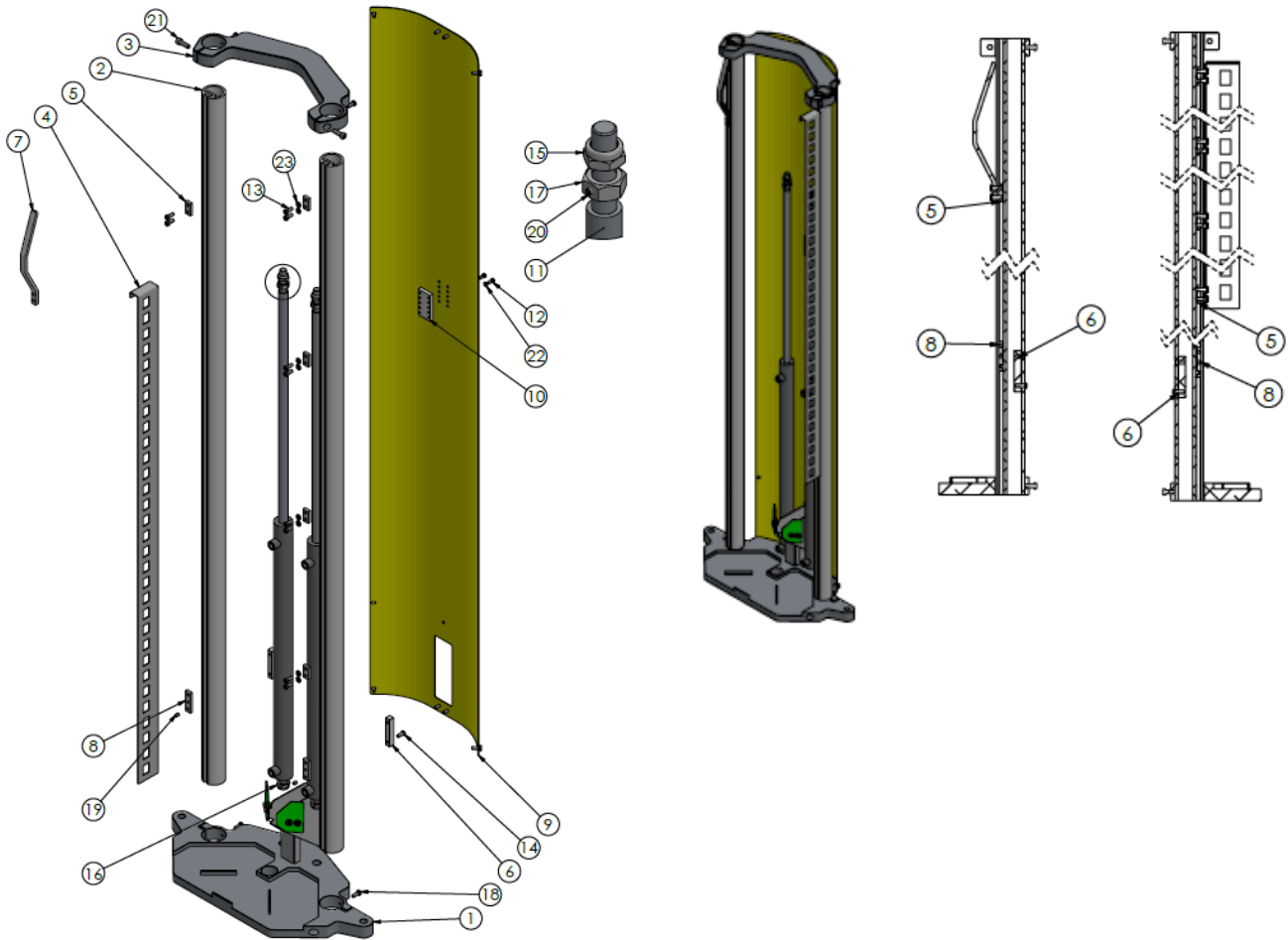
PART	ART. NO.	ARTICLE
1	50101038	Guiding roll
2	50101063	Spacer ring for guiding roll
3	50101065	Eccentric bolt
4	50101064	Bushing for guiding roll
5	60101058	Washer, M8 mm
6	60101290	Hex bolt, M8x16 mm
7	50101181	Grease nipple

Lowering frame



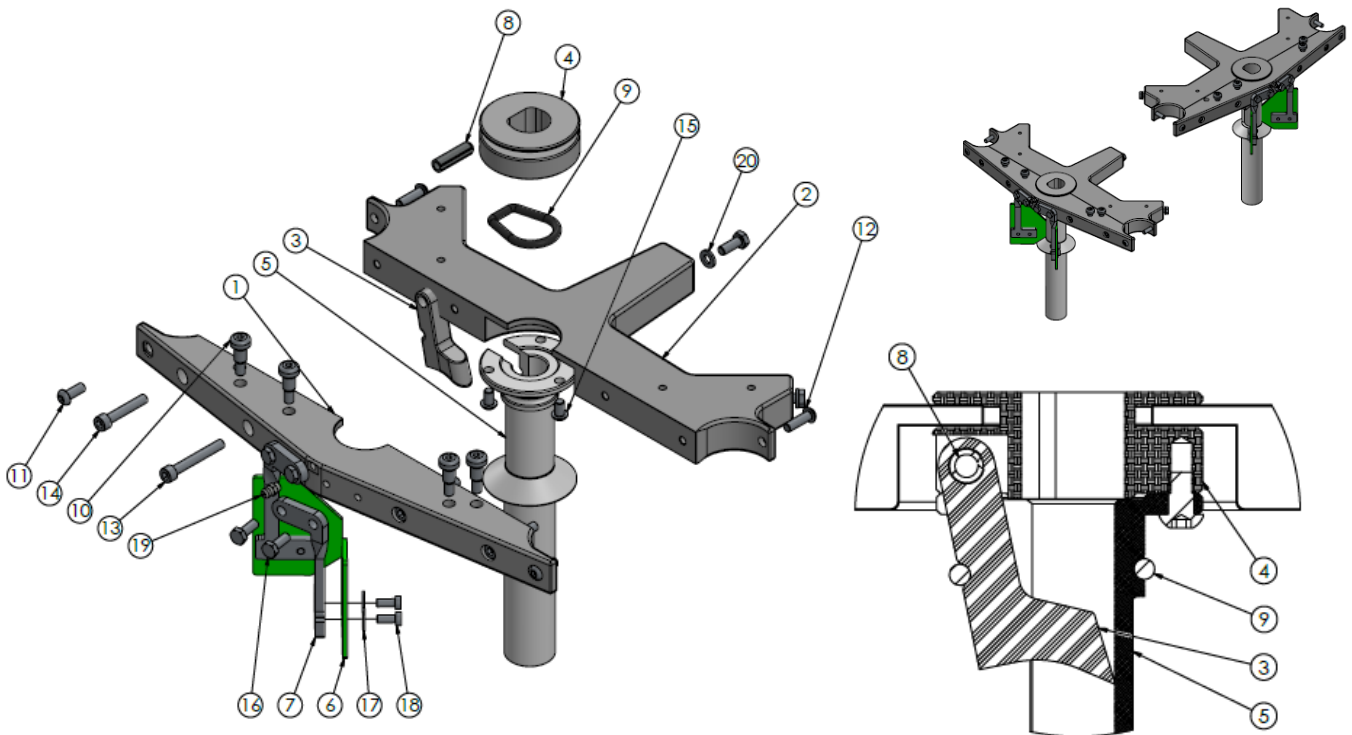
PART	ART. NO.	ARTICLE
1	50101358	Bottom plate W2500, 3000, 3000s
2	19101022	Guiding pipe
3	50101359	Top plate W2500, 3000, 3000s
4	19101153	Sensor rail
5	50101027	Retaining plate M6-C16
6	50101025	Retainer f. scraper unit
7	50101026	Hose guide
8	50101032	Key 3xM6
9	19101000	Outer cover
10	50101033	Chain fitting
11	19101123	Hammer cylinder
12	60101012	Insex bolt low head, M5x12 mm
13	60101096	Insex bolt low head, M6x16 mm
14	60101289	Insex bolt, M6x16 mm
15-23	See next page	

Lowering frame



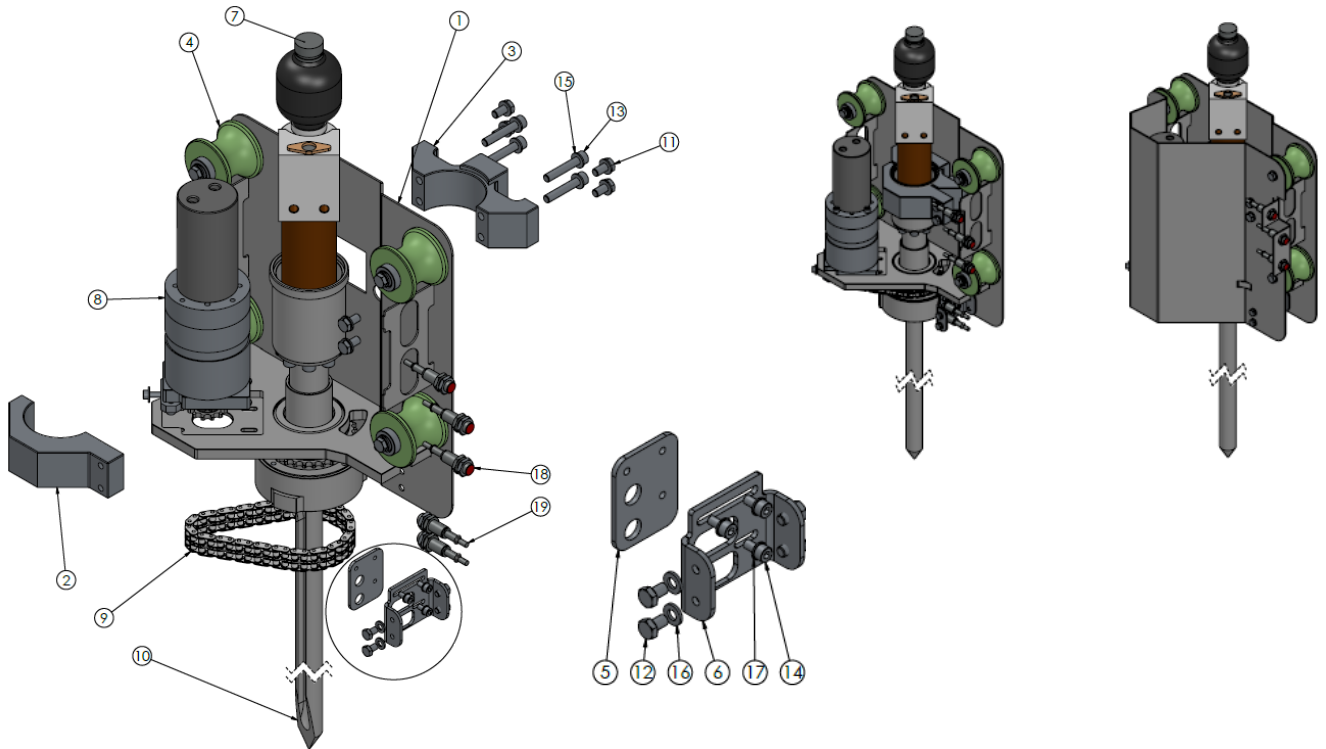
PART	ART. NO.	ARTICLE
1-14	See previous page	
15	60101266	Lock nut, M14 mm
16	60101050	Lock nut, M16 mm
17	60101118	Nut with stop screw, M14 mm
18	60101287	Hex bolt, M6x16 mm
19	60101053	Pointed screw, M6x8 mm
20	60101250	Pointed screw, M4x6 mm
21	60101278	Insex bolt, M8x25 mm
22	60101071	Washer, M6 mm
23	60101066	Washer, M5 mm

Scraper unit



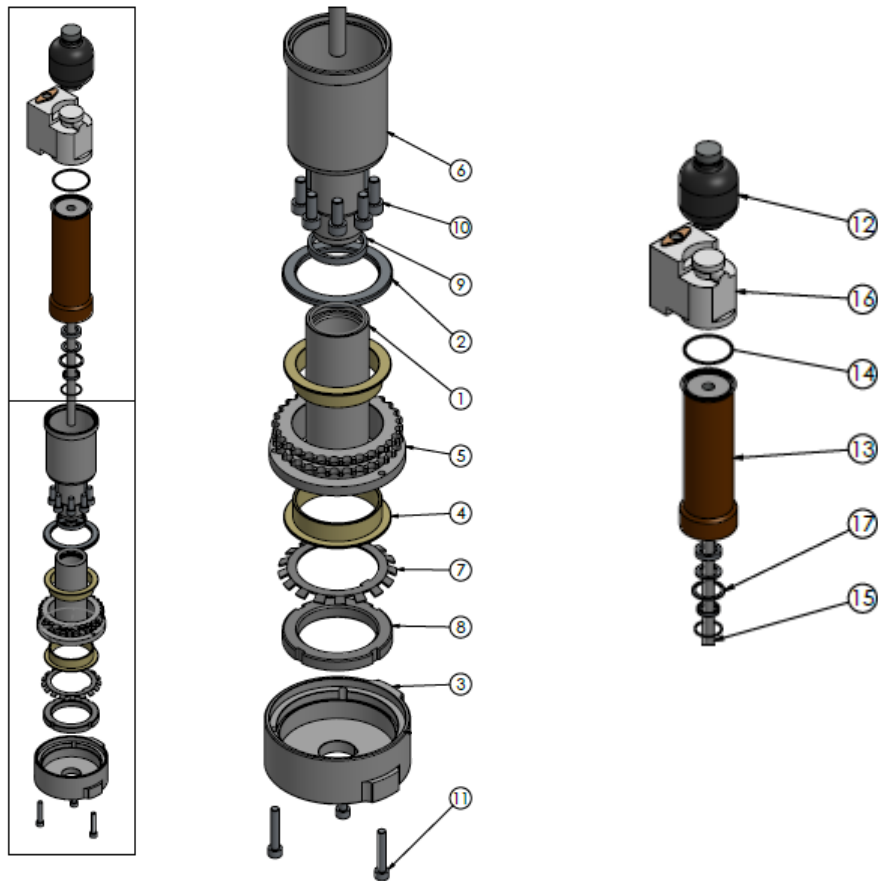
PART	ART. NO.	ARTICLE
1	50101035	Retainer f. scraper unit, back
2	50101036	Retainer f. scraper unit, towards outer cover W2500 3000, 3000s
3	50101003-1 50101003-2	Scraper f. 26 mm sonde, 1,5+2,0 g Scraper f.. 26 mm sonde, 2,5 g
4	50101005-26	Revolving platform f. 26 mm probe
5	50101034-26	Guiding pipe f. 26 mm probe
6	50101014	Scraper blade
7	50101126 50101125	Retainer f. scraper blade, right W2500 3000, 3000s Retainer f. scraper blade, left W2500 3000, 3000s
8	50101039	Spring roll pin, 8x30 mm
9	50101004	O-ring f. scraper
10	60101037	Fitted bolt, M8x12 mm
11	60101096	Insex bolt low head, M6x16 mm
12	60101299	Insex bolt low head, M6x20mm
13	60101282	Insex bolt, M6x45 mm
14	60101015	Insex bolt, M6x35 mm
15	60101286	Insex bolt low head, M6x10 mm
16	60101287	Hex bolt, M6x16 mm
17	60101274	Plain washer, 5 mm
18	60101012	Insex bolt low head, M5x12 mm
19	50101181	Grease nipple
20	60101071	Washer, M6 mm

Hammer carriage



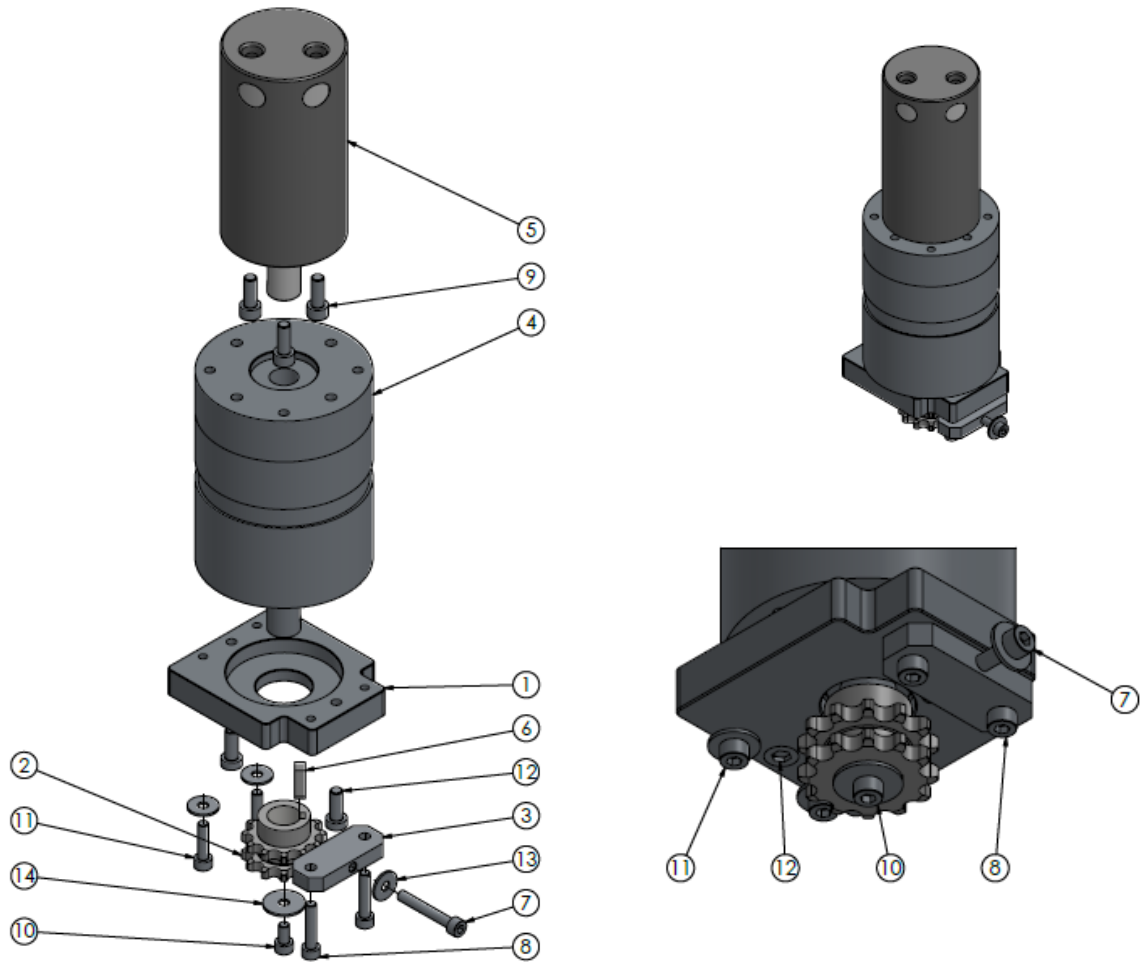
PART	ART. NO.	ARTICLE
1	50101052	Hammer carriage
2	50101050	Hammer fitting A
3	50101051	Hammer fitting B
4	50101038	Guiding roll
5	50101124	Adjusting plate f. sensor
6	50101135	Sensor retainer
7	50101055	Hydraulic hammer, for details see p. 8
8	See page 9	Oil motor, details
9	50101009	Chain f. rotation
10	19101001-1,5 19101001-2,0 19101001-2,5	Probe 26 mm, 1,5 g Probe 26 mm, 2,0 g Probe 26 mm, 2,5 g
11	60101290	Hex bolt, M8x16 mm
12	60101275	Hex bolt, M6x10 mm
13	60101297	Insex bolt, M8x45 mm
14	60101011	Insex bolt, M5x10 mm
15	60101058	Washer, M8 mm
16	60101071	Washer, M6 mm
17	60101066	Washer, M5 mm
18	50101023	Sensor w. pig tale
19	50101022	Sensor f. Wintex control system

Hammer - details



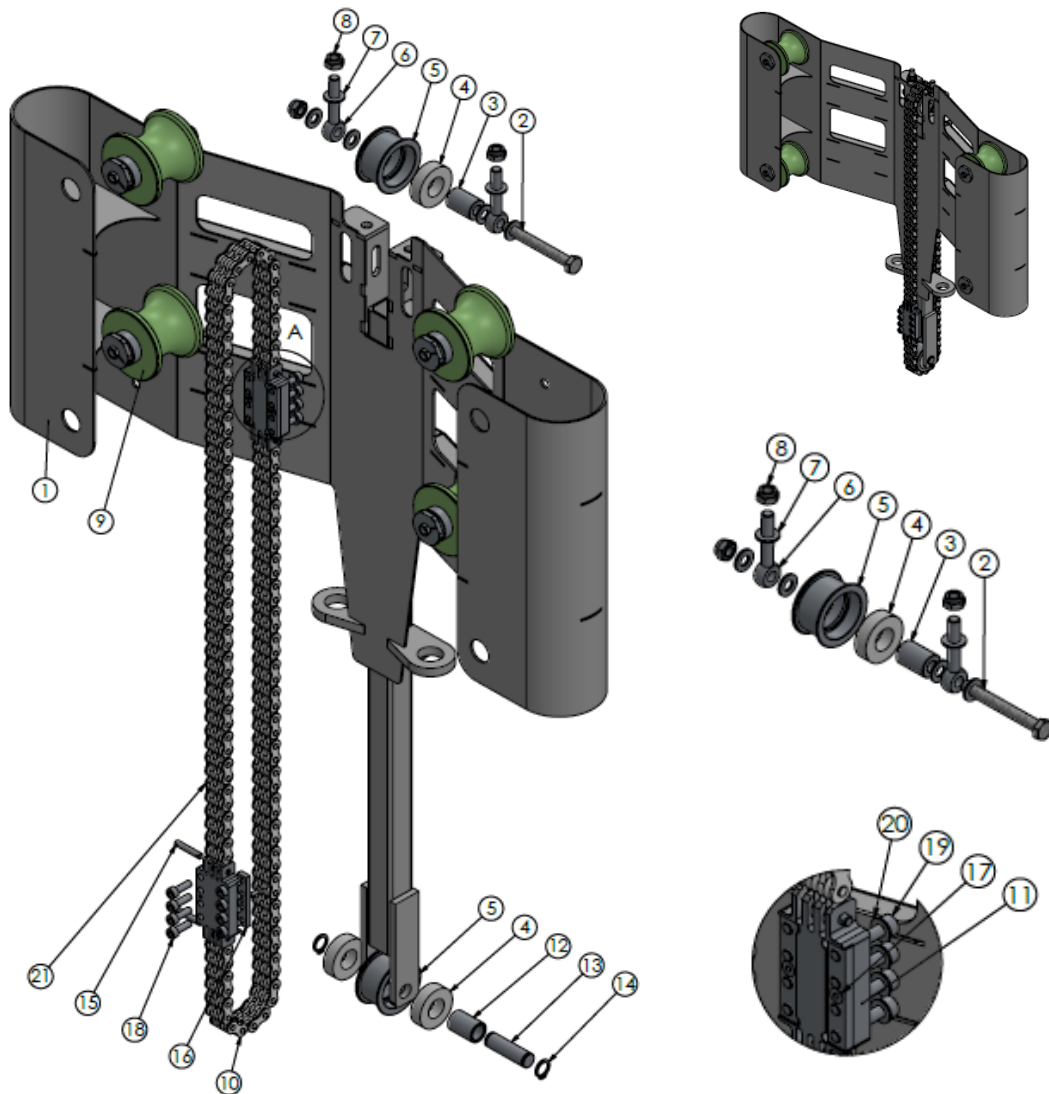
TEIL	ART. NO.	ARTICLE
1	50101049-26	Retainer f. 26 mm probe
2	50101043	Spacer ring
3	50101002	Rotary sensor plate f. 26 mm probe W3000, 3000s
4	50101044	Slide bearing
5	50101045	Sprocket f. rotation, 30 teeth
6	50101122	Bottom part hammer
7	50101007	Lock washer
8	50101006	Nut, M60x2 mm
9	50101275	Lock ring f. probe retainer
10	60101283	Insex bolt, M8x20 mm
11	60101015	Insex bolt, M6x35 mm
12	50101160	Accumulator
13	50101321	Cylinder f. hammer
14	50101252	O-ring f. hammer, 52x2
15	50101251	Piston f. hydraulic hammer
16	50101193	Valve housing f. hammer
17	50101227	Gasket set for bottom of hammer

Oil motor - details



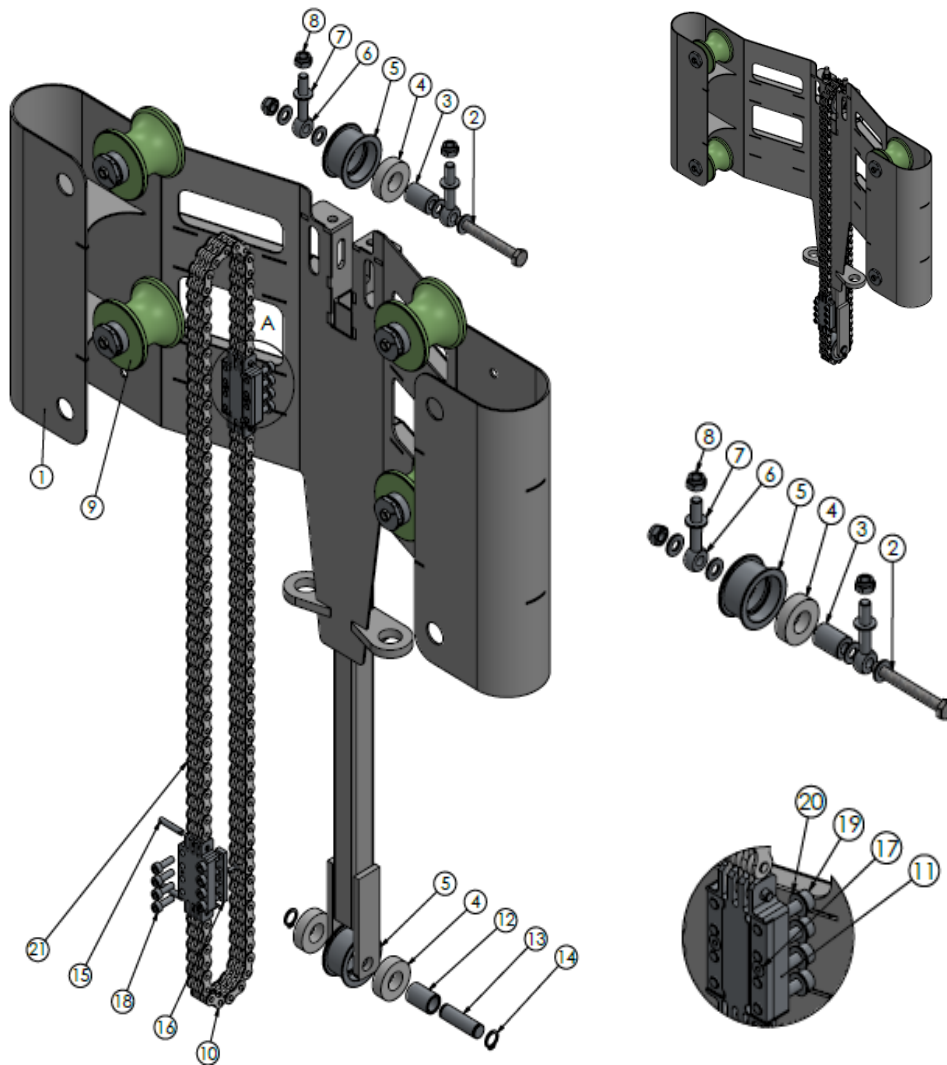
PART	ART. NO.	ARTICLE
1	50101060	Bottom plate hammer carriage
2	50101046	Gearwheel f. rotation, 12 teeth
3	50101173	Chain tensioner
4	50101056	Planetary gear
5	50101057	Oil motor
6	50101048	Parallel key
7	60101272	Insex bolt, M5x35 mm
8	60101273	Insex bolt, M5x25 mm
9	60101289	Insex bolt, M6x16 mm
10	60101011	Insex bolt, M5x10 mm
11	60101069	Insex bolt, M5x20 mm
12	60101096	Insex bolt low head, M6x16 mm
13	60101274	Plain washer, M5 mm
14	60101295	Plain washer f. rotation, M5x20 mm

Carriage



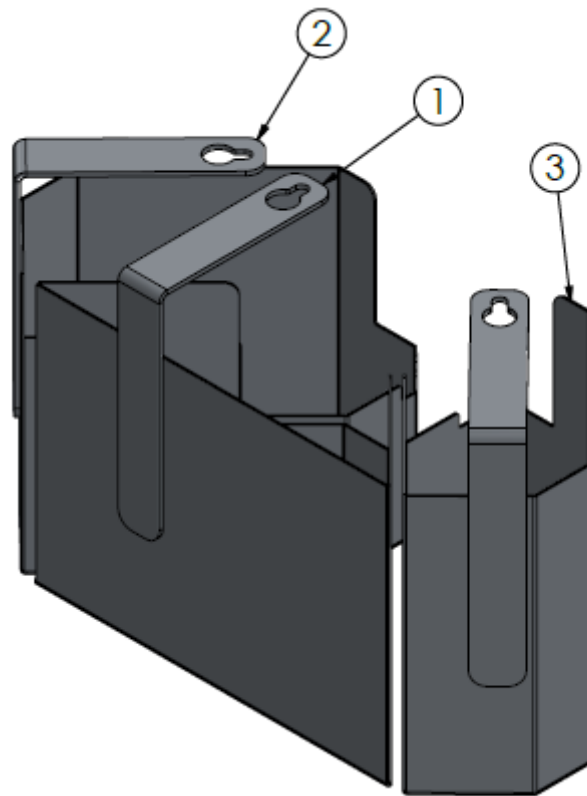
PART	ART. NO.	ARTICLE
1	19101127	Carriage
2	60101131	Bolt, M8x70 mm
3	50101171	Bushing f. upper chain pulley
4	50101233	Bearing f. chain pulley
5	50101214	Chain pulley without bearing
6	50101129	Eye screw
7	60101058	Washer, M8 mm
8	60101063	Lock nut, M8 mm
9	50101038	Guiding roll
10	19101132	Chain to guide, complete
11-21	See next page	

Carriage



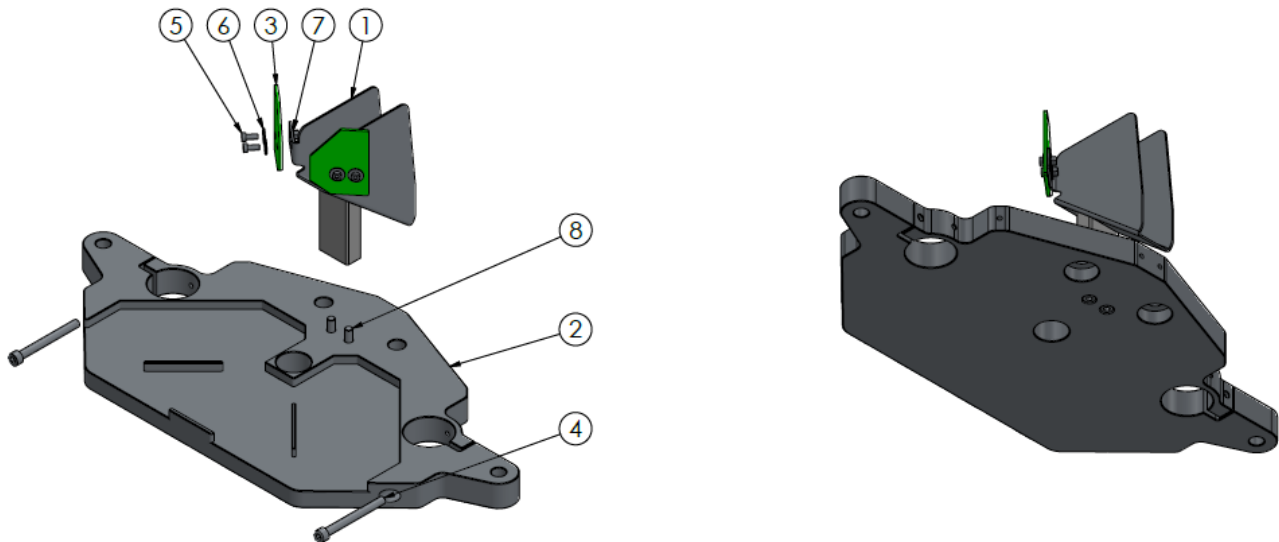
PART	ART. NO.	ARTICLE
1-10	See previous page	
11	50101175	Chain retainer
12	50101215	Bushing f. lower chain pulley
13	50101177	Pin f. lower chain pulley
14	50101178	Lock ring f. chain pulley pin
15	50101176	Chain assembly set (1 spike, 2 splints)
16	50101174	Plate w. thread f. chain retainer
17	60101296	Insex bolt, countersunk, M3x10 mm
18	60101059	Insex bolt, M5x16 mm
19	60101288	Insex bolt, M5x25 mm
20	60101066	Washer, M5 mm
21	19101128	Chain to guide (only one chain)

Soil boxes



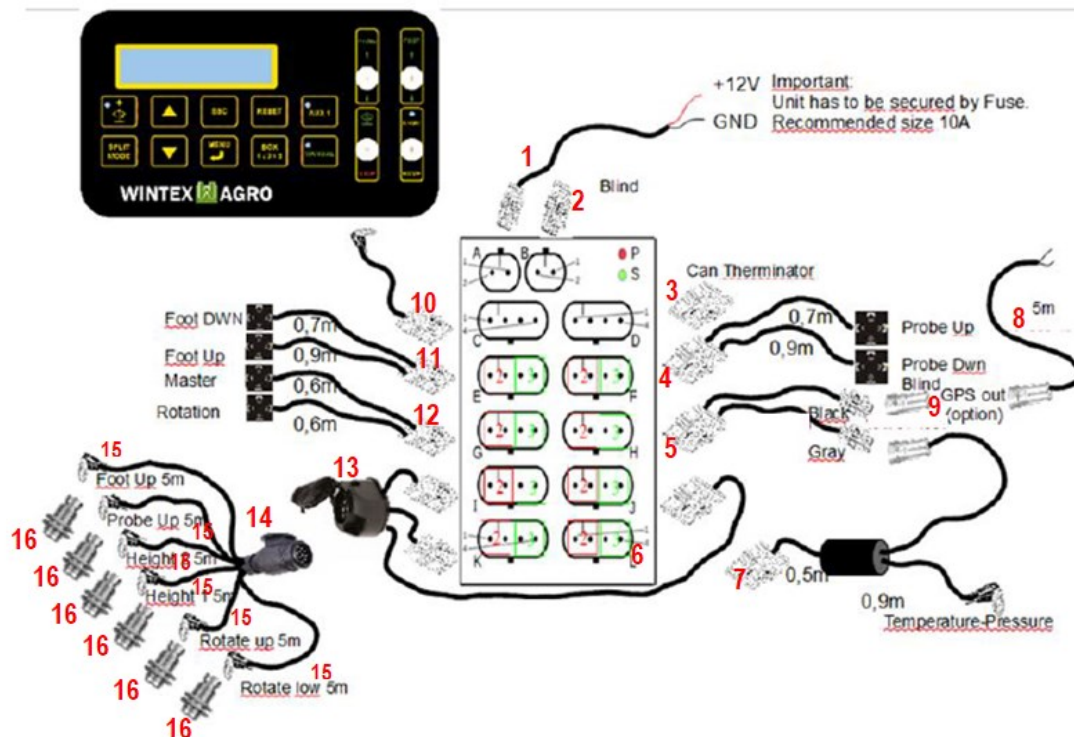
PART	ART. NO.	ARTICLE
1	50101011	Soil box, middle W2500, 3000, 3000s
2	50101010	Soil box, left W2500, 3000, 3000s
3	50101013	Soil box, right W2500, 3000, 3000s

Bottom plate, funnel for emptying



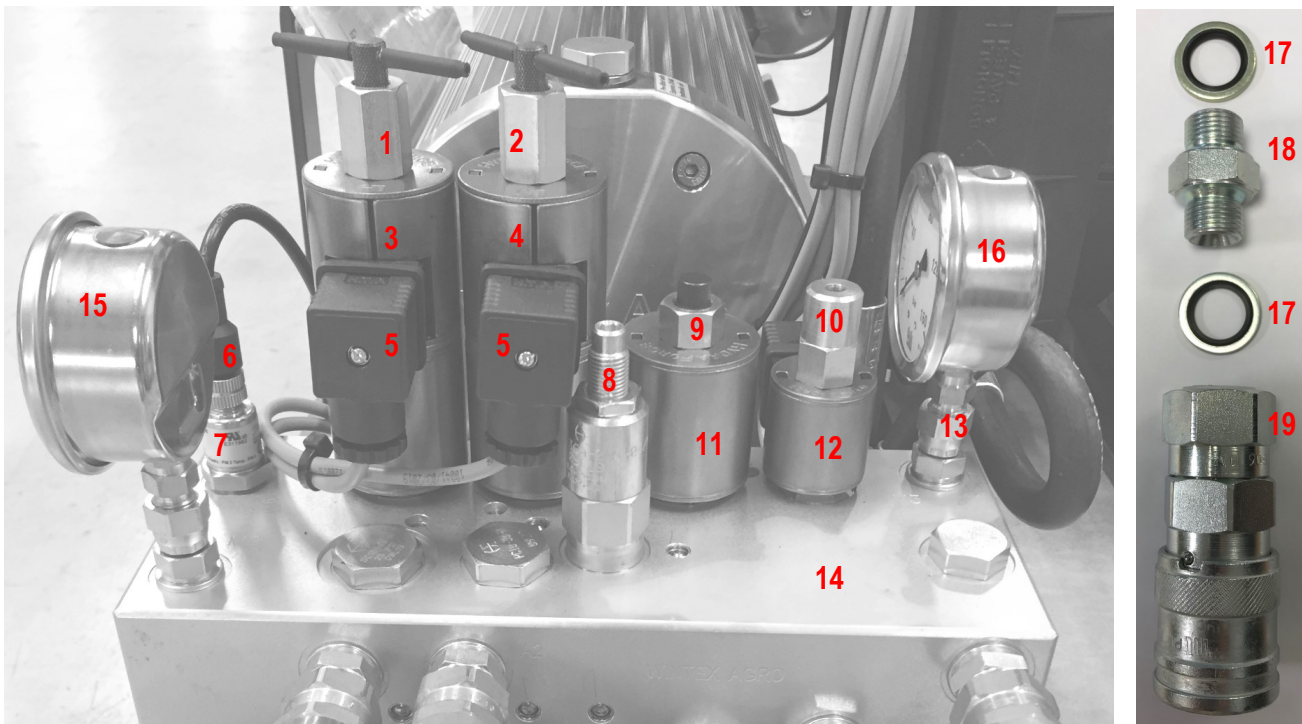
PART	ART. NO.	ARTICLE
1	50101362	Retainer f. emptying W2500, 3000, 3000s
2	50101358	Bottom plate W2500, 3000, 3000s
3	50101014	Scraper blade
4	60101277	Insex bolt, M8x80 mm
5	60101012	Insex bolt low head, M5x12 mm
6	60101274	Plain washer, M5 mm
7	60101068	Lock nut, M5 mm
8	60101243	Insex bolt, M8x35 mm

Control system



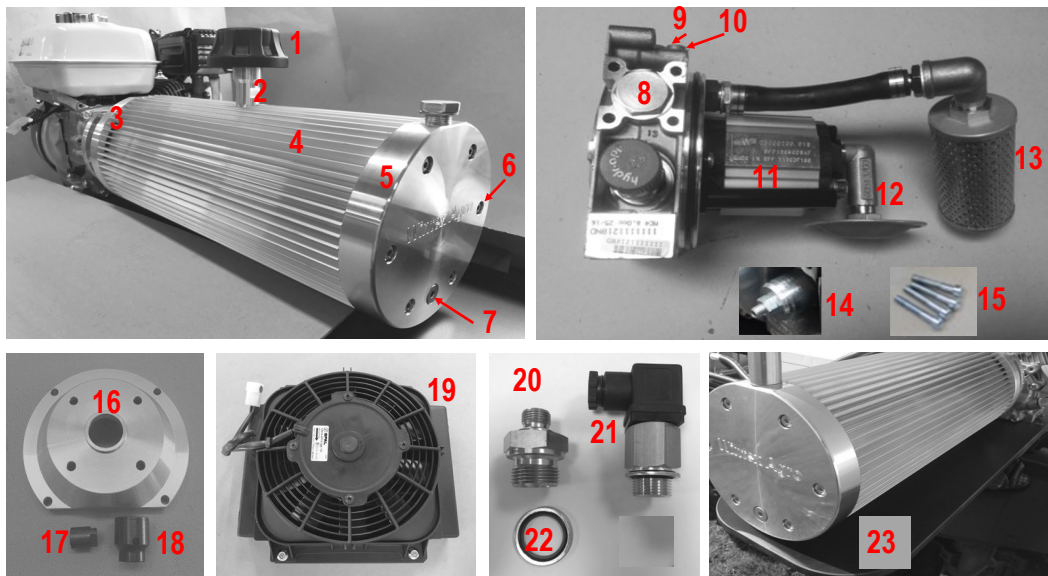
PART	ART. NO.	ARTICLE
1	50101266	Electric cable f. control system
2	50101267	Blind plug f. control system, power supply
3	50101268	Blind plug f. control system, CAN signal
4	50101270	Cable f. control system, probe up/down
5	50101277	Cable f. control system "H", grey/black plug
6	50101258	Conmicro
7	50101262	Splitter cable temperature/pressure
8	50101273	Cable f. control system, GPS, 5 m
9	50101272	Cable f. control system, blind plug GPS
10	50101247	Cable f. monitor, 2,5 m
	50101248	Cable f. monitor, 5 m
	50101249	Cable f. monitor, 8 m
	50101250	Cable f. monitor, 10 m
11	50101269	Cable f. control system, foot up/down
12	50101271	Cable f. control system, main valve/rotation
13	50101279	Cable f. control system, 13-pole female plug - "I", "K" and "J"
14	50101109	13-pole male plug
15	50101150	Cable f. sensor
16	50101022	Sensor f. Wintex control system

Hydraulic block with valves



PART	ART. NO.	ARTICLE
1	50101265	Valve f. foot
2	50101187	Valve f. probe/hammer
3	50101078	Valve coil lowering frame up/down
4	50101079	Valve coil probe up/down
5	50101084	3-pole plug
6	50101158	Plug with cable f. transducer
7	50101157	Transducer
8	50101082	Adjustable valve f. probe/hammer
9	50101189	Valve f. rotation
10	50101188	Main valve
11	50101080	Valve coil f. rotation
12	50101081	Valve coil f. main valve
13	15101252	Manometer connection
14	50101083	Valve block
15	50101067	Manometer, 0-60 bar
16	15101144	Manometer, 0-160 bar
17	50101207	Bonded seal, 3/8"
18	50101195	Nipple, 3/8 BSP
19	50101092	Female coupling, flatface, 3/8"

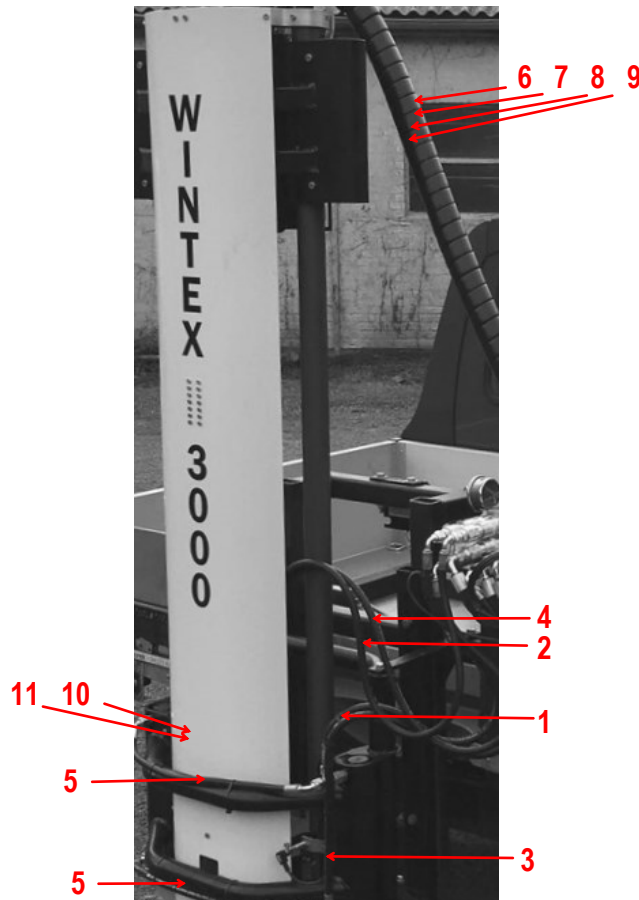
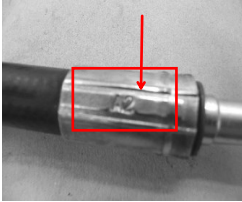
Hydraulic pump with tank



PART	ART. NO.	ARTICLE
1	50101229	Oil level rod with filter cap, large
2	50101154	Pipe f. refilling of oil
3	50101156	Plate f. oil tank, back
4	50101086	Aluminum pipe f. oil tank
5	50101155	Plate f. oil tank, front
6	60101267 15101195	Insex bolt low head, M8x40 mm Gasket bolt f. oil tank
7	50101180	Blind plug
8	50101090	Cap f. excess-pressure valve
9	50101195	Nipple, 3/8 BSP
10	50101211	Nipple 3/4-12 mm
11	50101053	Oil pump 6,0 CC
12	50101183	Oil strainer f. hydraulic pump
13	50101198	Return filter 3/8"
14	50101058	Excess-pressure valve
15	60101054	Insex bolt, M6x40 mm
16	15101149-1 15101149-2	Flange f. Honda engine 20x50 mm, EU Flange f. Honda engine 3/8"x50, US
17	15101150-1 15101150-2	Motor coupling f. engine 20 mm, EU Motor coupling f. engine 3/8", US
18	15101184	Motor coupling f. hydraulics
19	50101169	Radiator w. fan, 12 V
20	50101226	Nipple 3/4-3/8 BSP
21	50101186	Thermostat f. oil cooler
22	50101140	Bonded seal, 3/4"
23	50101190	Compact laminate f. Honda GX200 engine

Hydraulic hoses

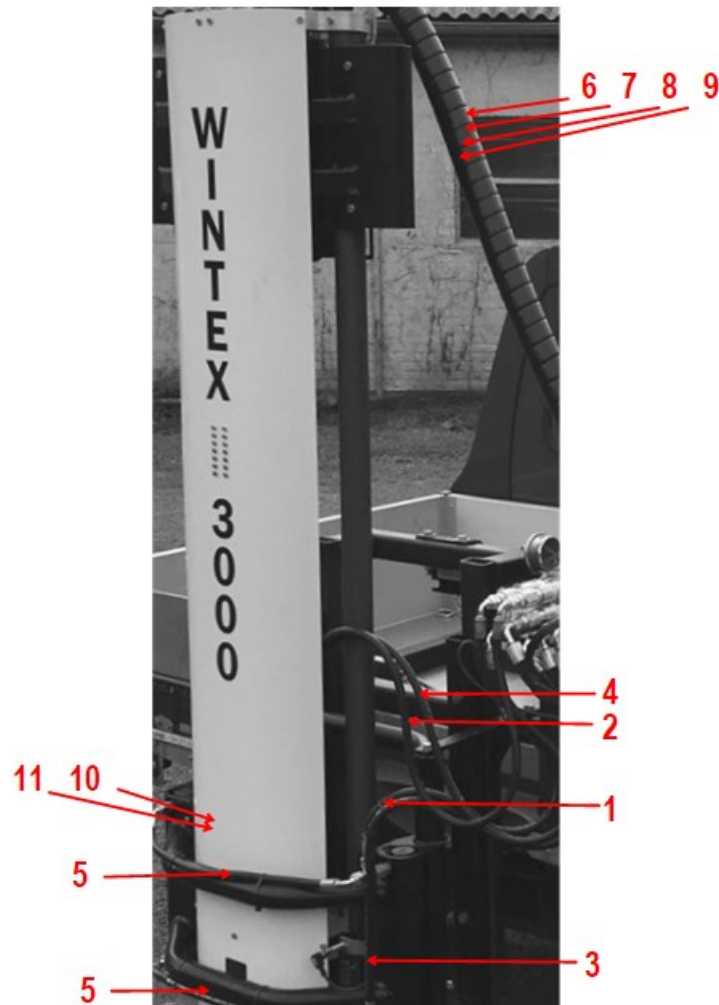
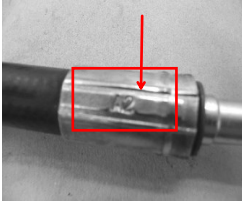
Hose number



PART	ART. NO.	ARTICLE
1	50101097 50101097+1M	Hose A1, 820 mm Hose A1, 1820 mm
2	50101098 50101094 50101094+1M	Hose A2, 1600 mm, old type, 1 cylinder Hose A2, 1600 mm, new type, 2 cylindre Hose A2, 2600 mm, new type, 2 cylindre
3	50101099	Hose B1, 1080 mm
4	50101100 50101095 50101095+1M	Hose B2, 1100 mm, old type, 1 cylinder Hose B2, 1100 mm, new type, 2 cylinders Hose B2, 2100 mm, new type, 2 cylinders
5	50101101	Hose f. Jack cylinder
6	50101102 50101102+1M	Hose A3, 1640 mm Hose A3, 2640 mm
7	50101103 50101103+1M	Hose B3, 1700 mm Hose B3, 2700 mm
8	50101104 50101104+1M	Hose H, 1730 mm Hose H, 2730 mm
9 - 11	See next page	

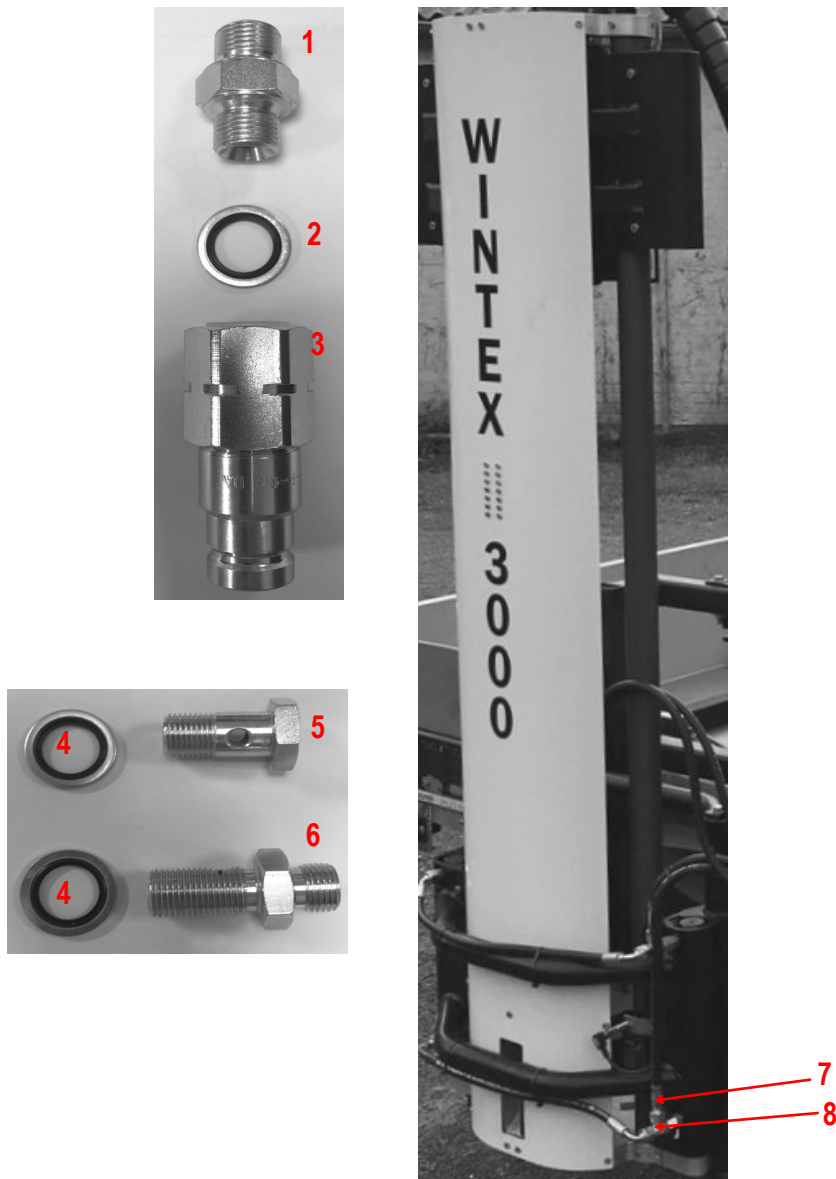
Hydraulic hoses

Hose number



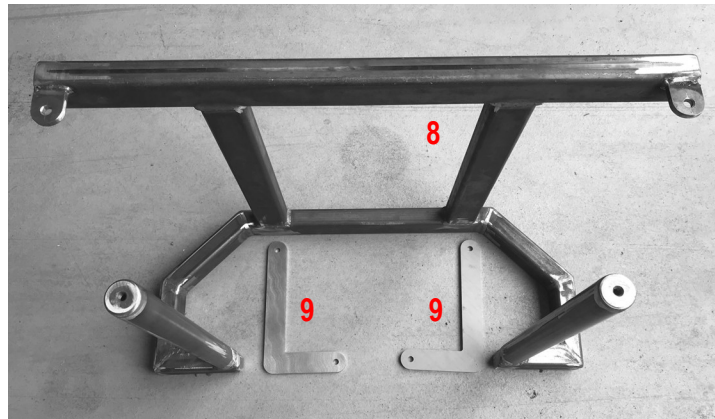
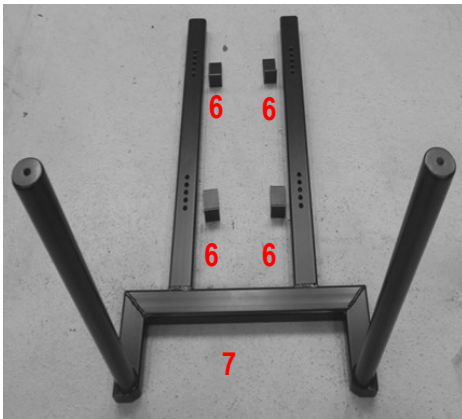
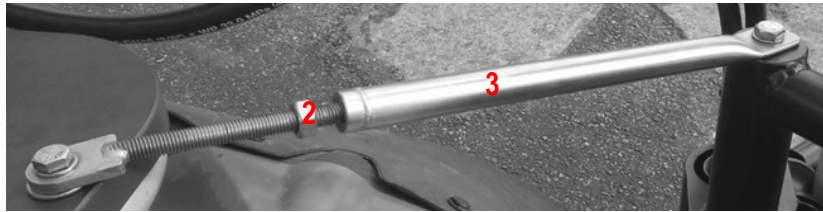
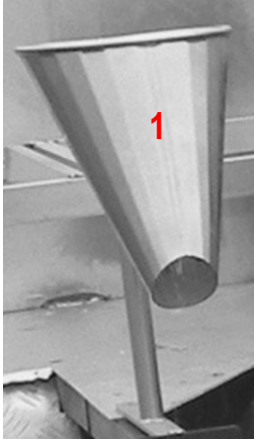
PART	ART. NO.	ARTICLE
1 - 8	See previous page	
9	50101105 50101105+1M	Hose T2, 1640 mm Hose T2, 2640 mm
10	50101363	Hose between hammer cylinders, long W3000, 3000s
11	50101364	Hose between hammer cylinders, short W2500, 3000, 3000s
-	50101106	Hose P, 780 mm
-	50101167	Hose f. radiator, 305 mm

Fittings



PART	ART. NO.	ARTICLE
1	50101195	Nippel, 3/8 BSP
2	50101207	Bonded seal, 3/8"
3	50101093	Male coupling, flatface 3/8"
4	15101168	Bonded seal, 1/4"
5	60101271	Banjo bolt, 1/4 BSP
6	50101231	Pipe gland
7	50101096	T-adaptor w. compression nut
8	50101211	Nipple, 1/4-12 mm

Various parts



PART	ART. NO.	ARTICLE
1	15101132	Funnel f. filling of bags
2	15101293	Thread f. tower support
3	15101129	Support rod
4	50101120	Wintex special spanner
5	19101121	Label Wintex 3000
6	50101091	Fitting f. mounting frame
7	50101136	Mounting frame
8	50101137	Reversed frame
9	50101137-1	Stabilisation angle f. reversed frame