

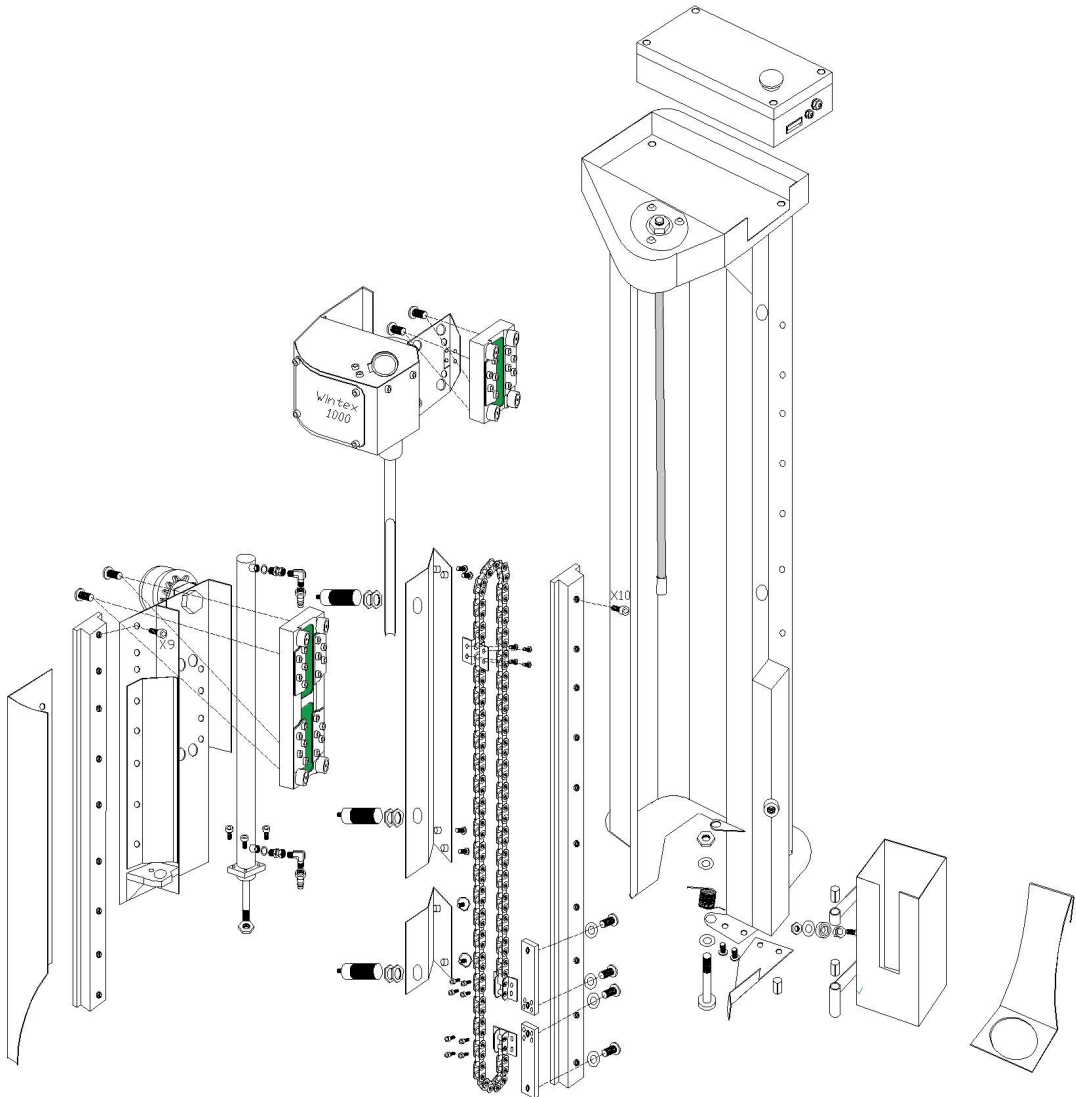
WINTEX 1000

Spare parts catalogue from serial no. 1000C

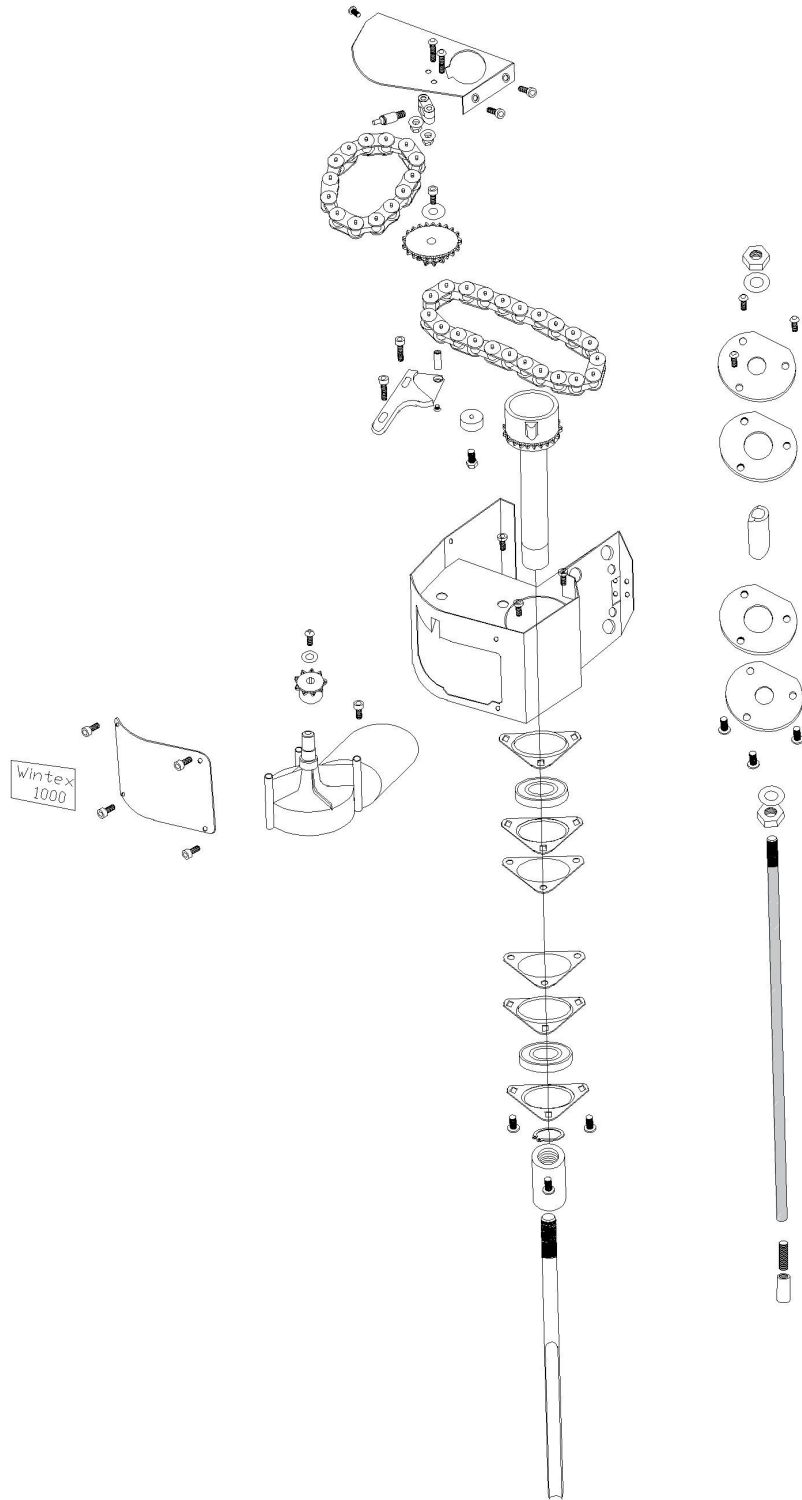
The future is in the soil -
and in professional soil samples



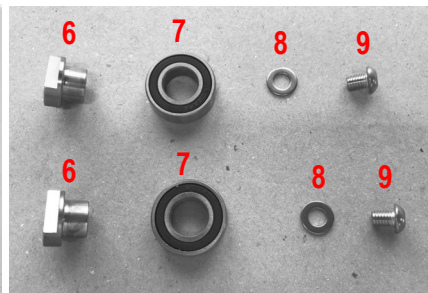
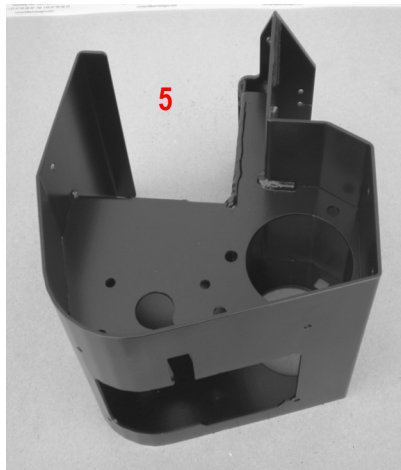
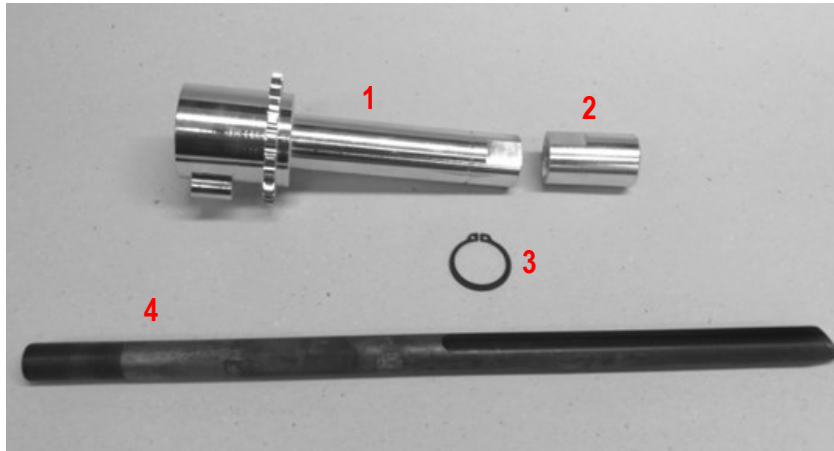
Assembly drawing WINTEX 1000



Assembly drawing drilling head

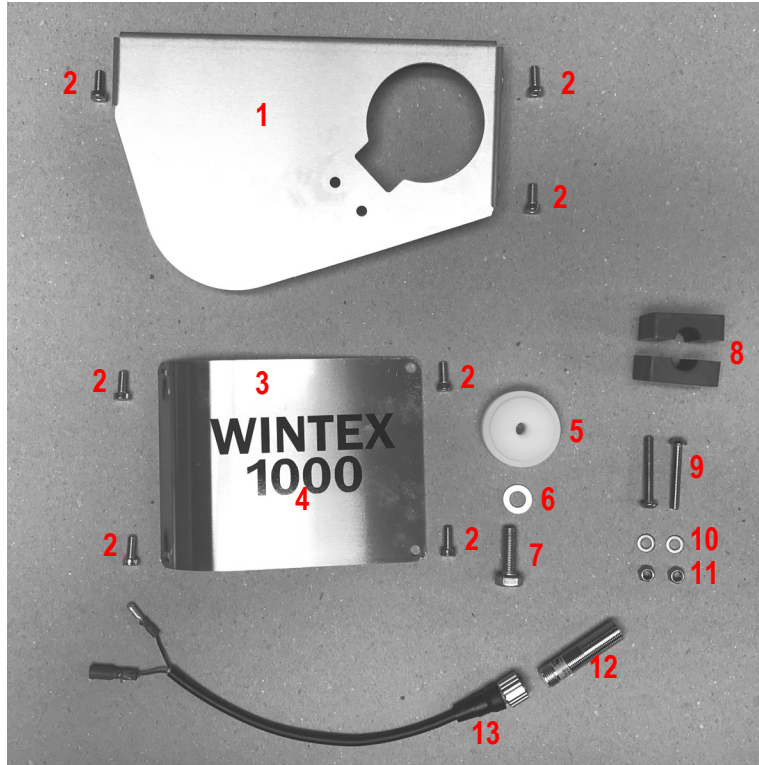


Drilling head



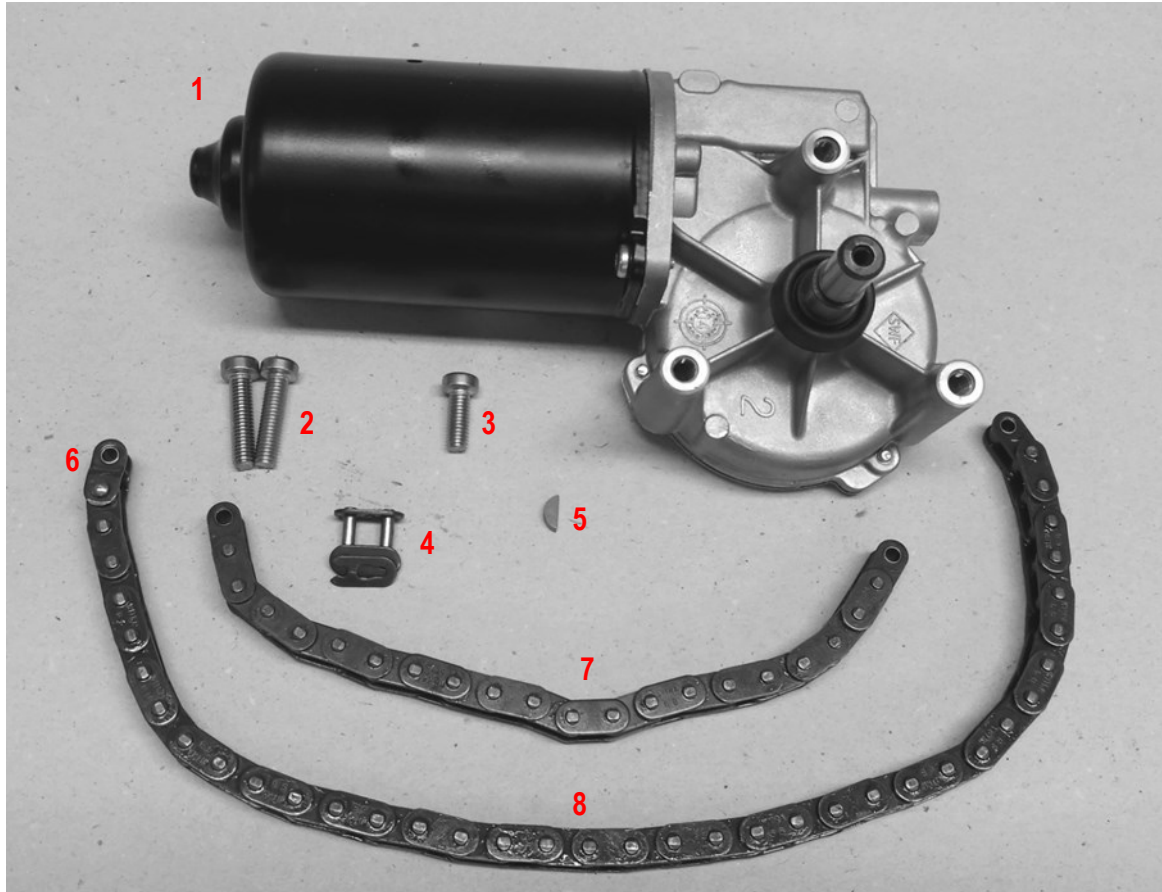
PART	ART. NO.	ARTICLE
1	15101027-18 15101027-21	Hub for probe, 18 mm Hub for probe, 21 mm
2	15101104-18 15101104-21	Nut for 18 mm probe Nut for til 21 mm probe
3	15101105	Circlip
4	15101000-18 15101000-21	Probe with thread , 18 mm Probe with thread 21mm
5	15101023	Drilling head
6	15101285	Bolt for support bearing
7	15101287	Bearing for stabilizing of drilling head
8	60101058	Washer, M8 mm
9	60101242	Button head, M8x10 mm

Drilling head



PART	ART. NO.	ARTICLE
1	15101310	Cover top, new type, from serial no. C
2	60101012	Insex bolt low head, M5x12 mm
3	15101031	Cover front
4	15101178	Label WINTEX 1000
5	15101034	Chain tightener
6	60101058	Washer, M8 mm
7	60101258	Hex bolt, M8x25 mm
8	15101309	Sensor holder, 12 mm (pair)
9	60101013	Button head, M5x35 mm
10	60101066	Washer, M5 mm
11	60101068	Lock nut, M5 mm
12	50101022	Sensor
13	15101308	Cable for sensor

Drilling head



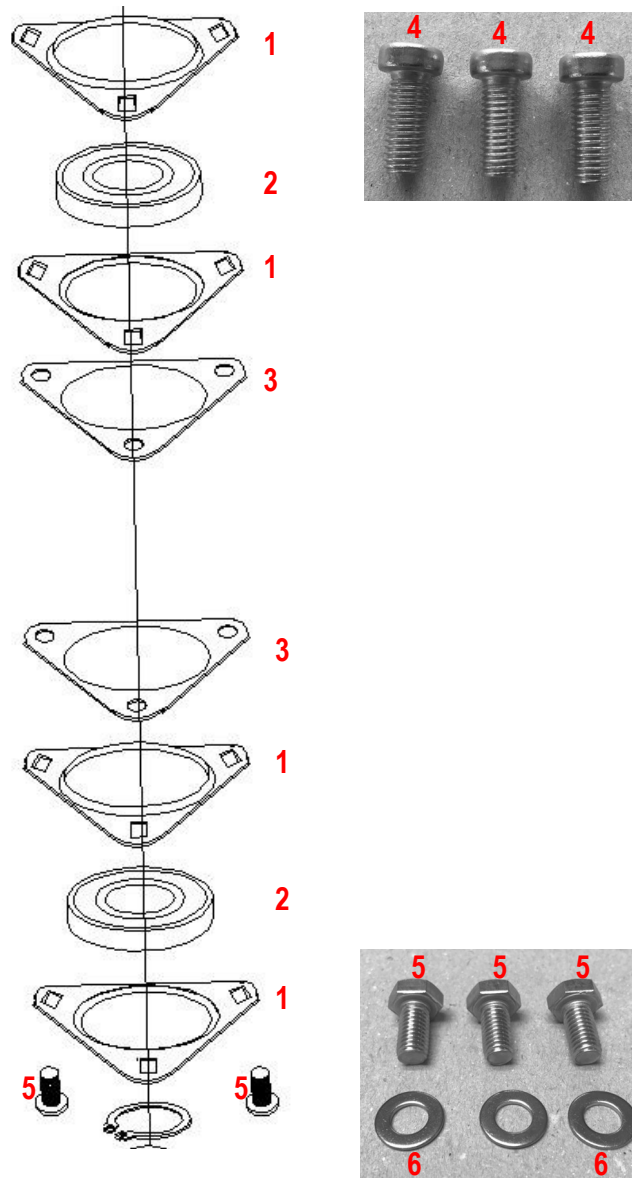
PART	ART. NO.	ARTICLE
1	15101032	Motor for rotation
2	60101240	Insex bolt low head, M6x25 mm
3	60101096	Insex bolt low head, M 6x16 mm
4	15101036	Chain connector
5	15101138	Key
6	15101254	Half link
7	15101136	Chain, 22 links
8	15101135	Chain, 39 links

Drilling head



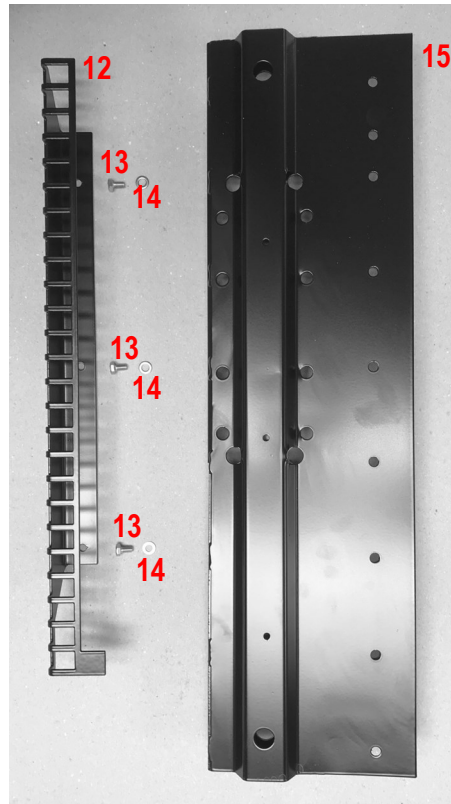
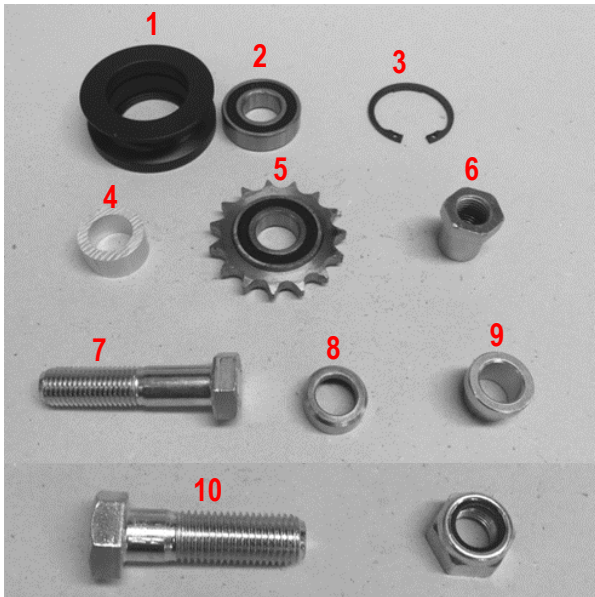
PART	ART. NO.	ARTICLE
1	60101096	Insex bolt low head, M6x16 mm
2	60101166	Plain washer, 6 mm
3	15101133	Sprocket, 8/16 teeth
4	15101279	Bushing for sprocket 8/16, plastic
5	15101276	Axel for 8/16 sprocket
6	15101134	Mounting plate for sprocket
7	60101260	Countersunk bolt, M6x10 mm
8	60101261	Machine screw, M4x10 mm
9	60101066	Washer, M5 mm
10	15101029	Sprocket, 8 tænder
11	60101069	Insex bolt, M5x20 mm
12	15101107	Cable bearer

Drilling head



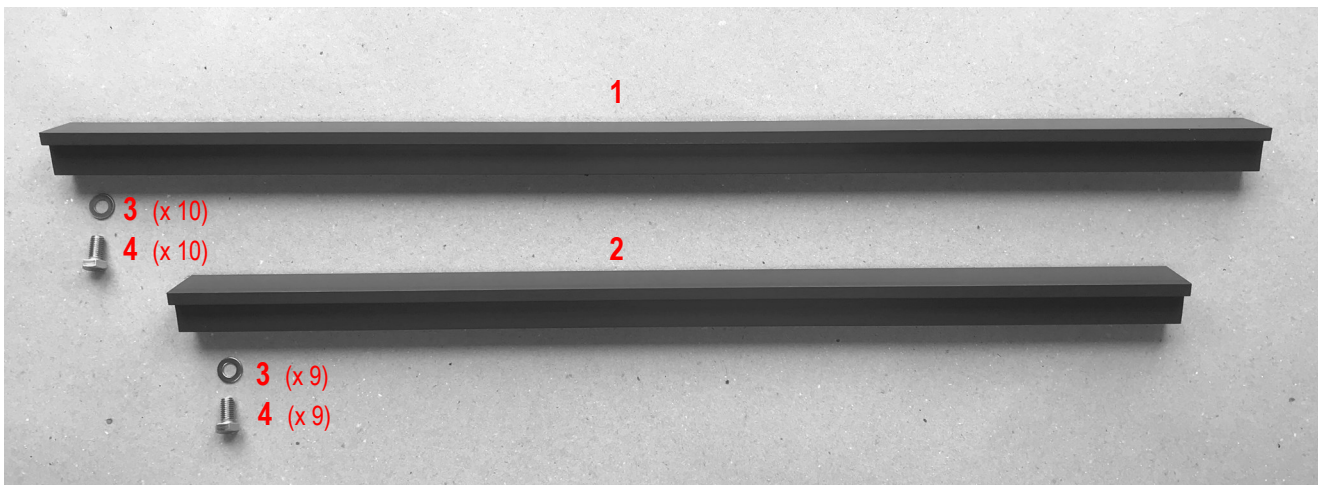
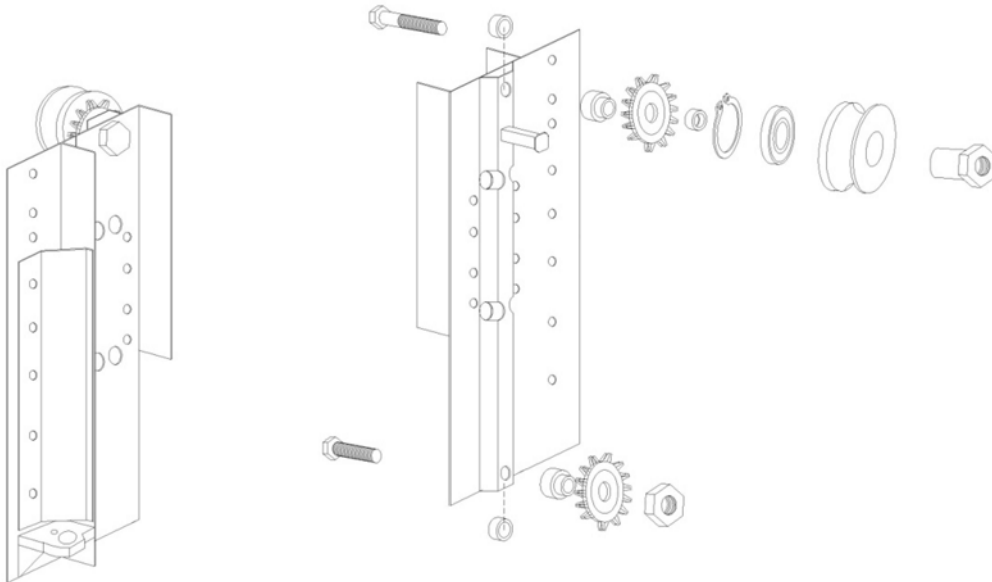
PART	ART. NO.	ARTICLE
1	15101025	Fitting for bearing
2	15101024	Bearing for rotation
3	15101026	Mounting plate with thread
4	60101005	Insex bolt low head, M8x20 mm
5	60101290	Hex bolt, M8x16 mm
6	60101058	Washer, M8 mm

Mounting plate



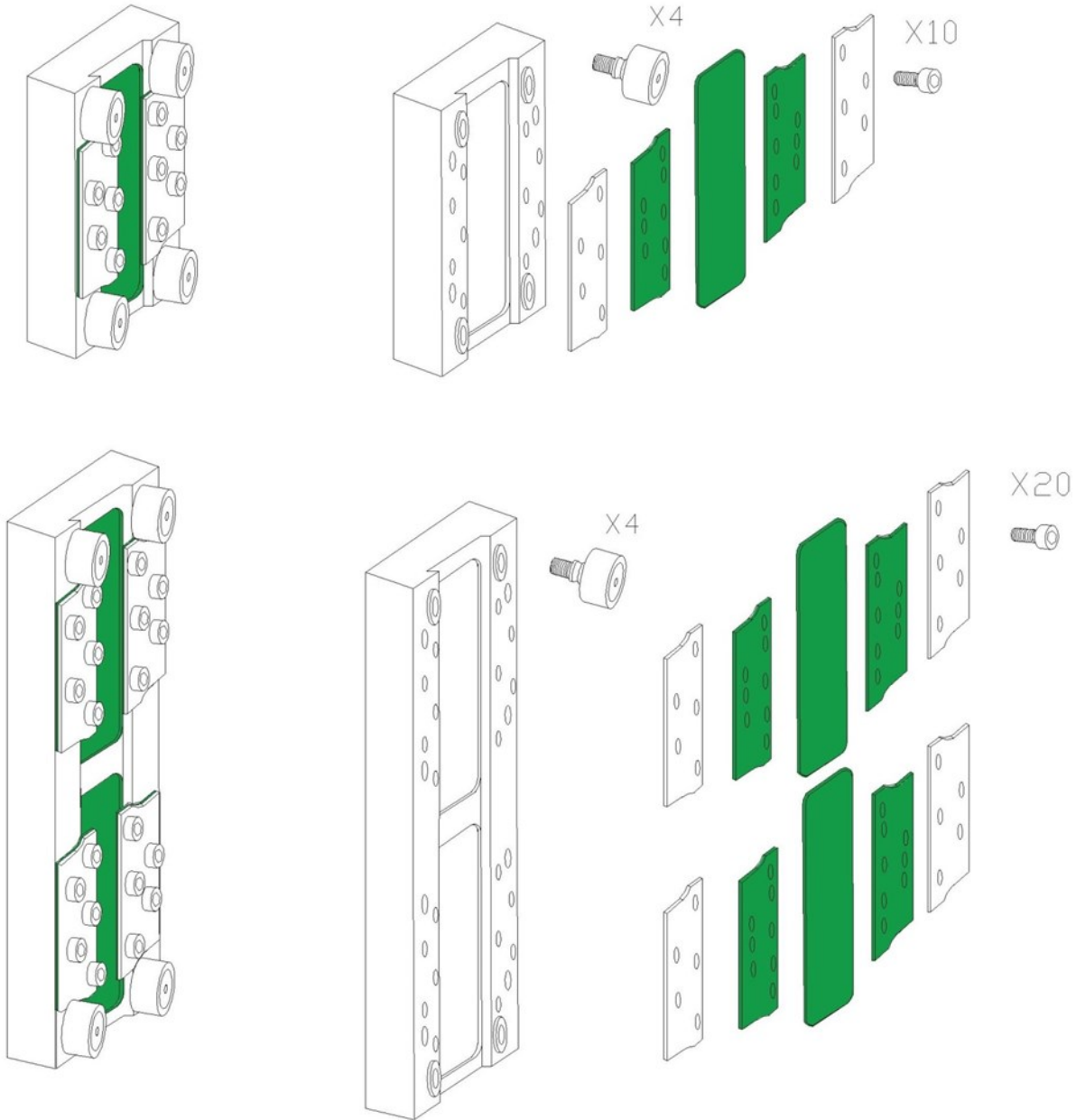
PART	ART. NO.	ARTICLE
1	15101094	Cable wheel
2	15101035	Bearing for cable wheel
3	15101052	Lock ring for cable wheel
4	15101046	Spacer for mounting plate
5	15101092	Chain sprocket wheel with bearing
6	15101099	Nut for cable wheel
7	60101010	Bolt, M16x70 mm
8	15101088	Spacer for cable wheel
9	15101017	Bushing for chain sprocket wheel
10	60101006	Bolt, M16x55 mm
11	60101050	Lock nut, M16 mm
12	15101282	Sensor rail
13	60101275	Hex bolt, M6x10 mm
14	60101071	Washer, M6 mm
15	15101139	Mounting plate, new type
16	60101243	Insex bolt, M8x35 mm
17	60101047	Nut, M8
18	15101093	Slide for soil box

Mounting plate

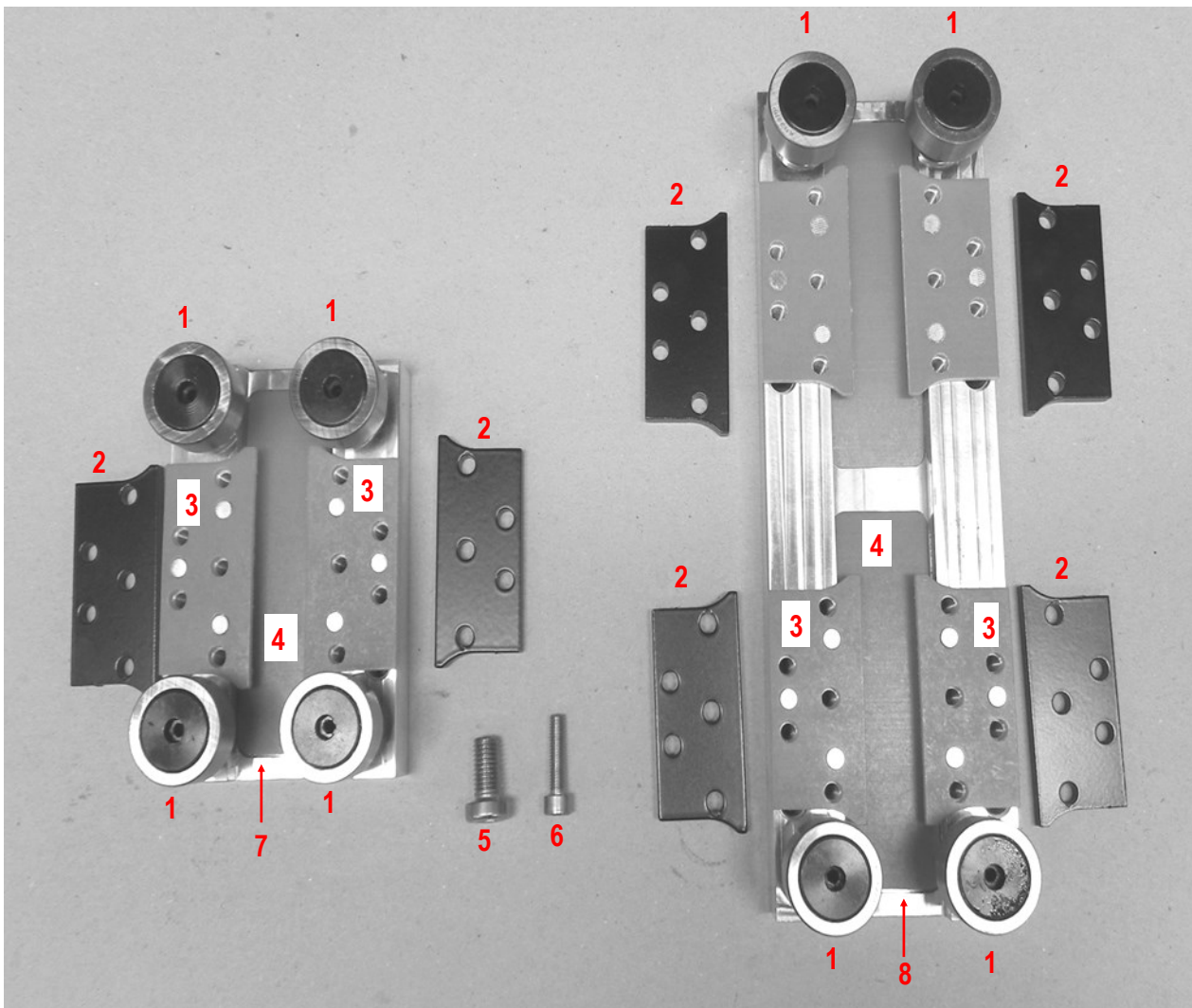


PART	ART. NO.	ARTICLE
1	15101045	Aluminium rail, 8x35x7300 mm
2	15101048	Aluminium rail, 8x35x600 mm
3	60101058	Washer, M8 mm
4	60101005	Insex bolt low head, M8x20 mm

Assembly drawing sledges

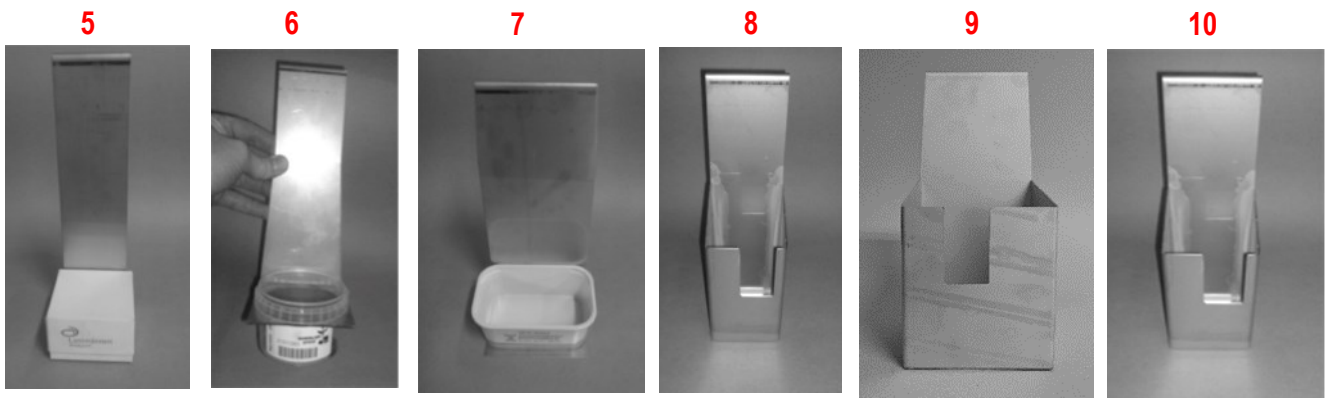
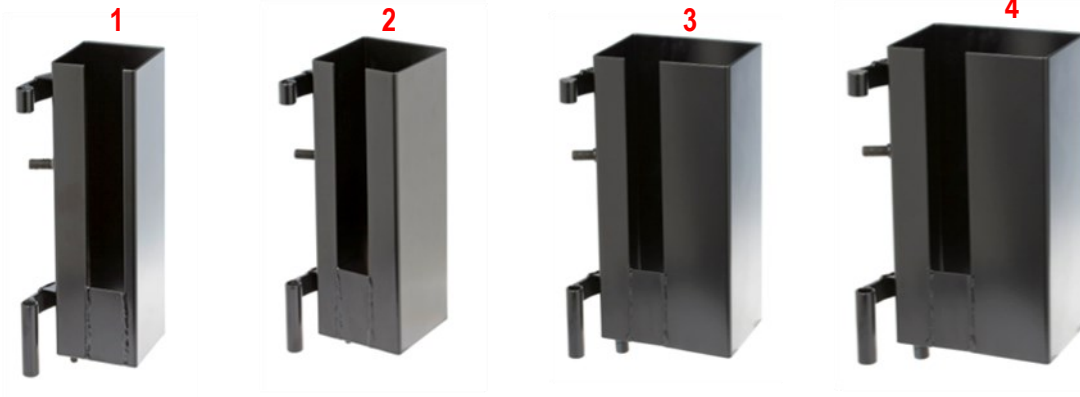


Sledges



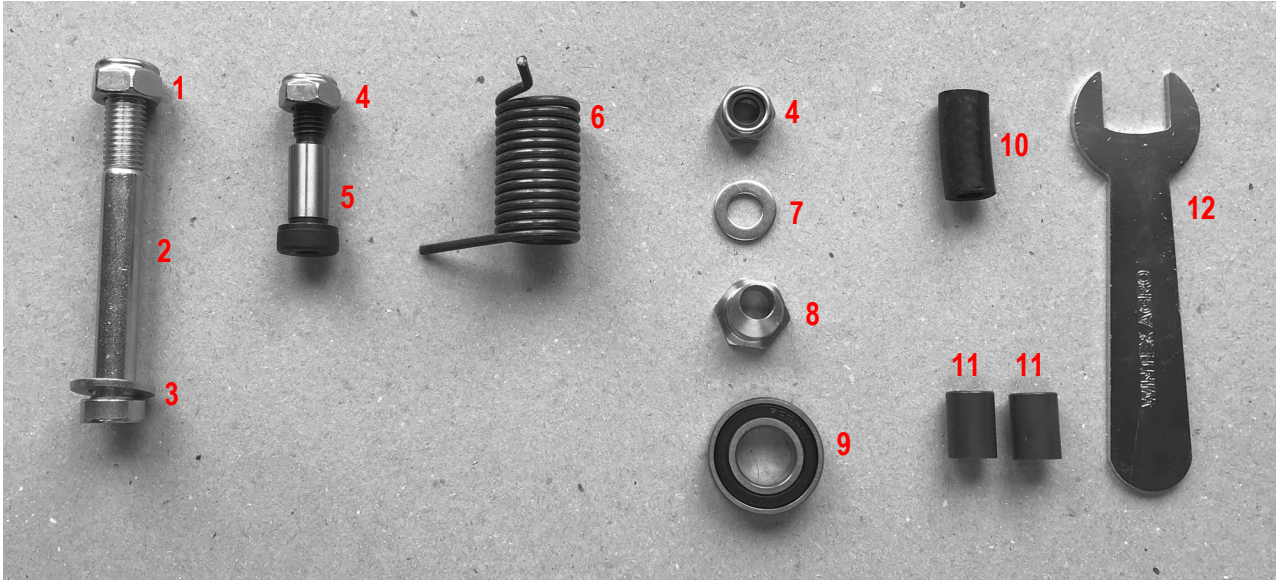
PART	ART. NO.	ARTICLE
1	15101095	Cam roller KR32KK
2	15101108	Mounting plate for PEHD wearing part
3	15101097	PEHD wearing part, small
4	15101098	PEHD wearing part, big
5	60101049	Insex bolt low head, M10x20 mm
6	60101014	Insex bolt, M6x25 mm
7	15101095-1	Sledge for drilling head
8	15101095-2	Sledge for mounting plate

Soil boxes



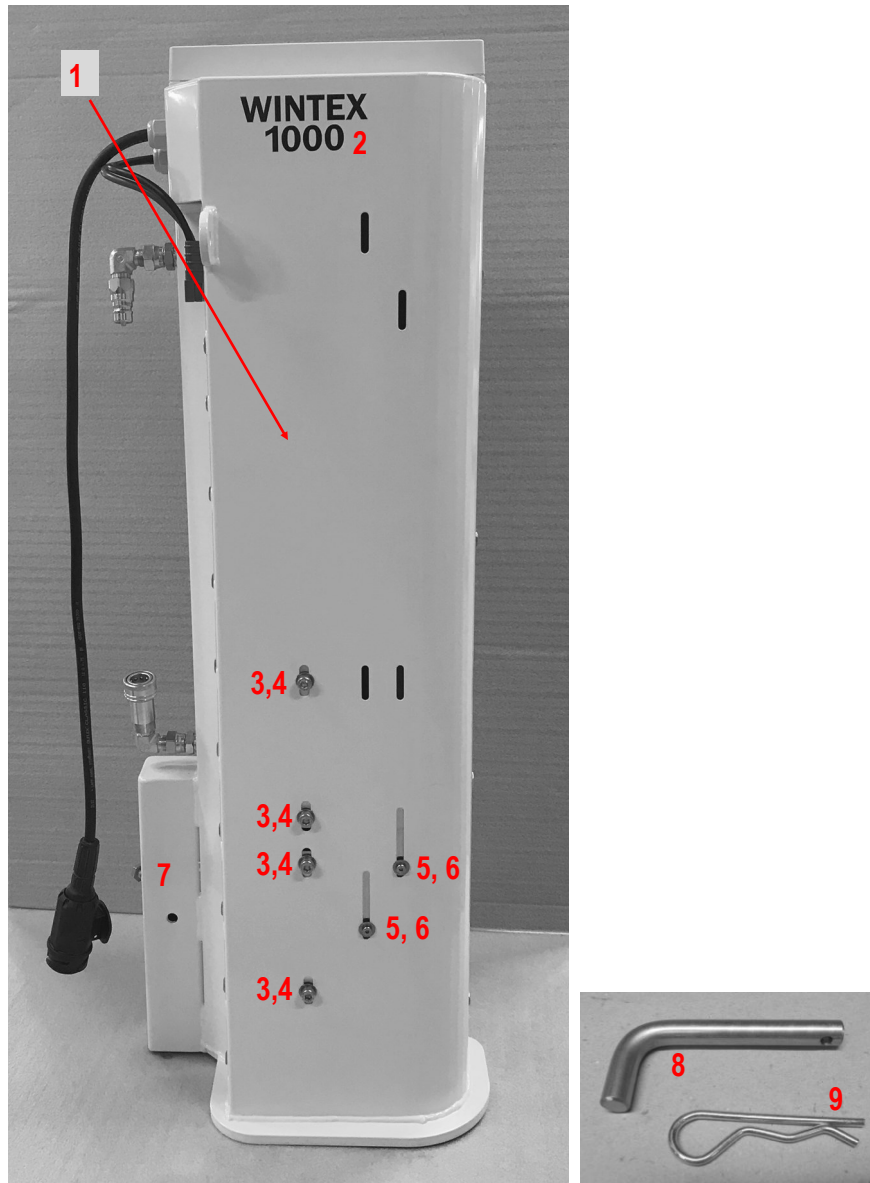
PART	ART. NO.	ARTICLE
1	15101003-1	Soil box, 265 mm high, 90 mm wide, 90 mm long
2	15101003-2	Soil box, 265 mm high, 105 mm wide, 105 mm long
3	15101003-5	Soil box, 265 mm high, 122 mm wide, 107 mm long
4	15101003-4	Soil box, 265 mm high, 149 mm wide, 104 mm long
5	15101002	Lift for soil box no. 15101003-1 and 15101003-2
6	15101002-1	Lift for soil box no. 15101003-2
7	15101002-2	Lift for soil box no. 15101003-4 and 15101003-5
8	15101002-3	Lift for soil box no. 15101003-1, capacity 0,8 litres
9	15101002-6	Lift for soil box no. 15101003-5, capacity 1,5 litres
10	15101002-7	Lift for soil box no. 15101003-2

Soil boxes



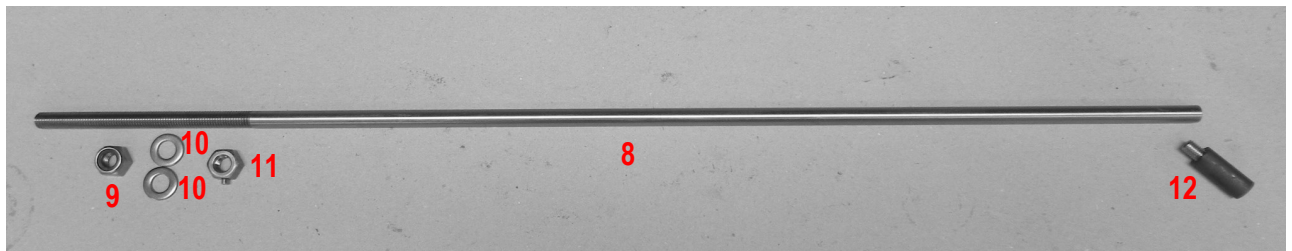
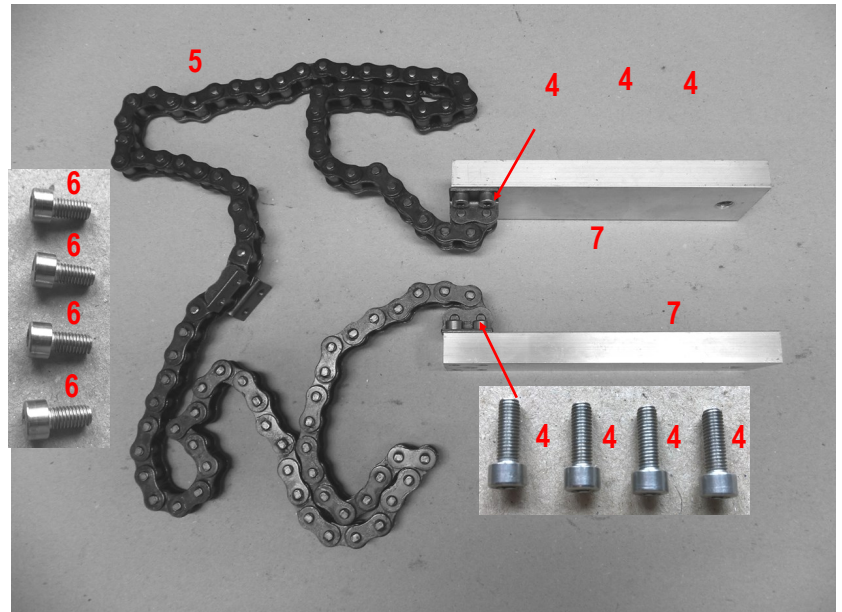
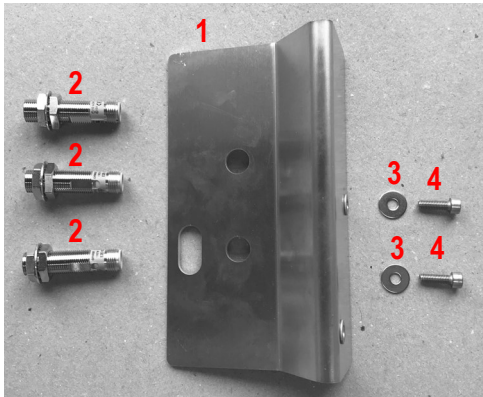
PART	ART. NO.	ARTICLE
1	60101110	Lock nut, M12 mm
2	60101021	Insex bolt low head, M12x100 mm, for bottom of soil box
3	60101171	Washer, M12 mm
4	60101019	Lock nut, M10 mm
5	60101022	Fitted bolt , M10x25 mm, for top of soil box
6	15101008	Spring for soil box
7	60101089	Washer, M10 mm
8	15101020	Eccentric
9	15101018	Bearing for soil box
10	15101311	Vibration damper, W1000
11	15101255	Slide bushing for soil box
12	15101109	Special spanner for adjustment of soil box

Yellow cover



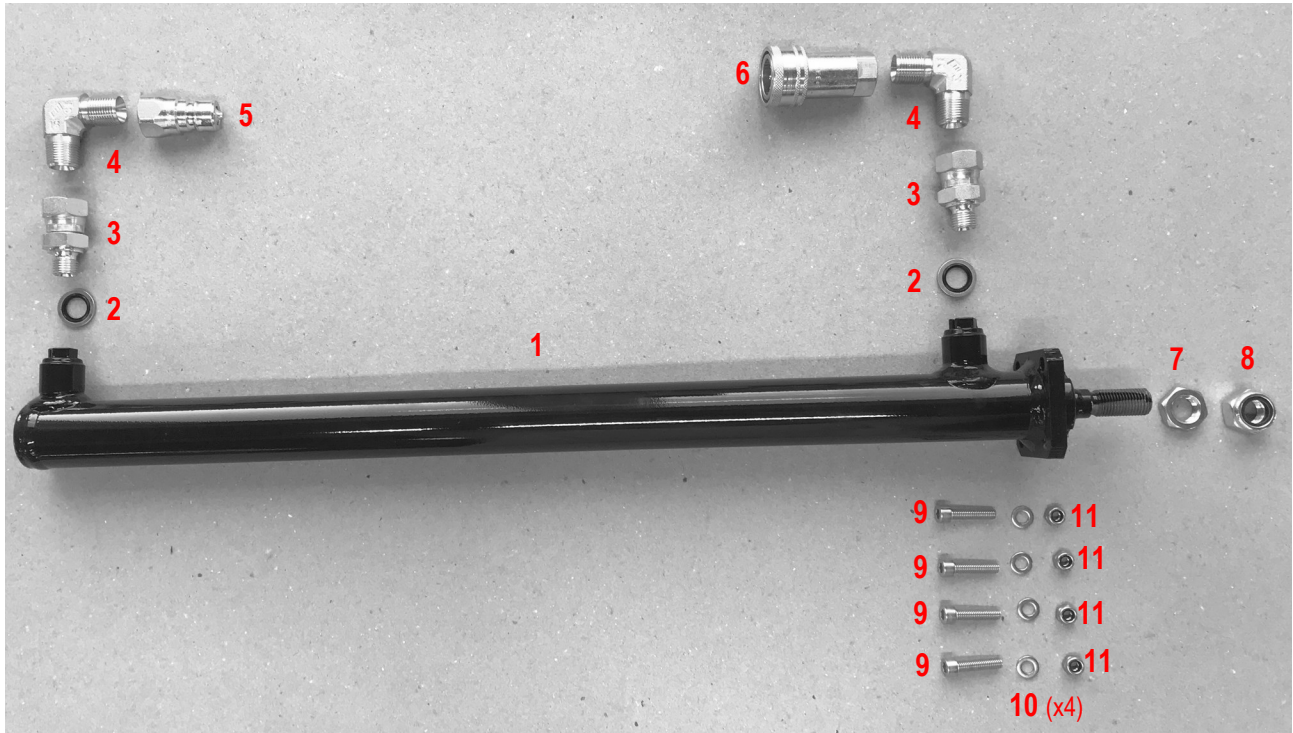
PART	ART. NO.	ARTICLE
1	15101001	Yellow cover
2	15101178	Label WINTEX 1000
3	60101283	Insex bolt, M8x20 mm
4	60101058	Washer, M8 mm
5	60101059	Insex bolt, M5x16 mm
6	60101274	Plain washer, M5 mm
7	60101259	Hex bolt, M10x25 mm
8	15101167	Bolt for mounting of yellow unit
9	15101169	R-pin

Yellow cover



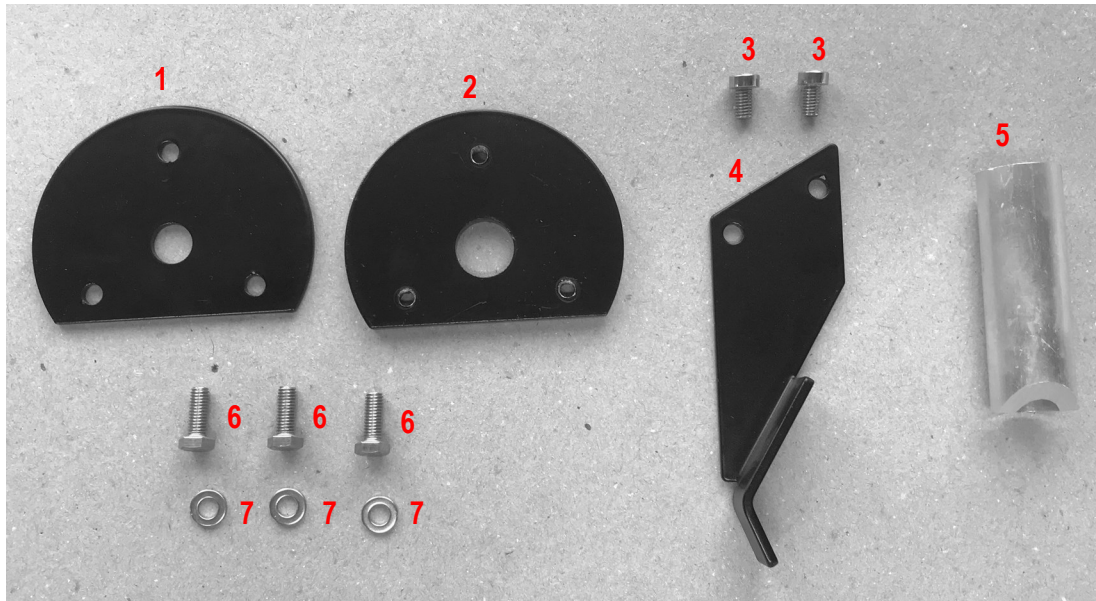
PART	ART. NO.	ARTICLE
1	15101298	Sensor plate bottom for three sensors
2	50101022	Sensor for Wintex control system
3	60101274	Plain washer, M5 mm
4	60101059	Insex bolt, M5x16 mm
5	15101091	Chain to guide
6	60101011	Insex bolt., M5x10 mm
7	15101090	Fitting for chain
8	15101007-10 15101007-12	Ejector, 10 mm Ejector, 12 mm
9	60101019 60101110	Lock nut, M10 mm Lock nut, M12 mm
10	60101089 60101171	Washer, M10 mm Washer, M12 mm
11	60101114 60101111	Nut with stop screw, M10 mm Nut with stop screw, M12 mm
12	15101009-13 15101009-16	Ejector tip, 13 mm Ejector tip, 16 mm

Yellow cover



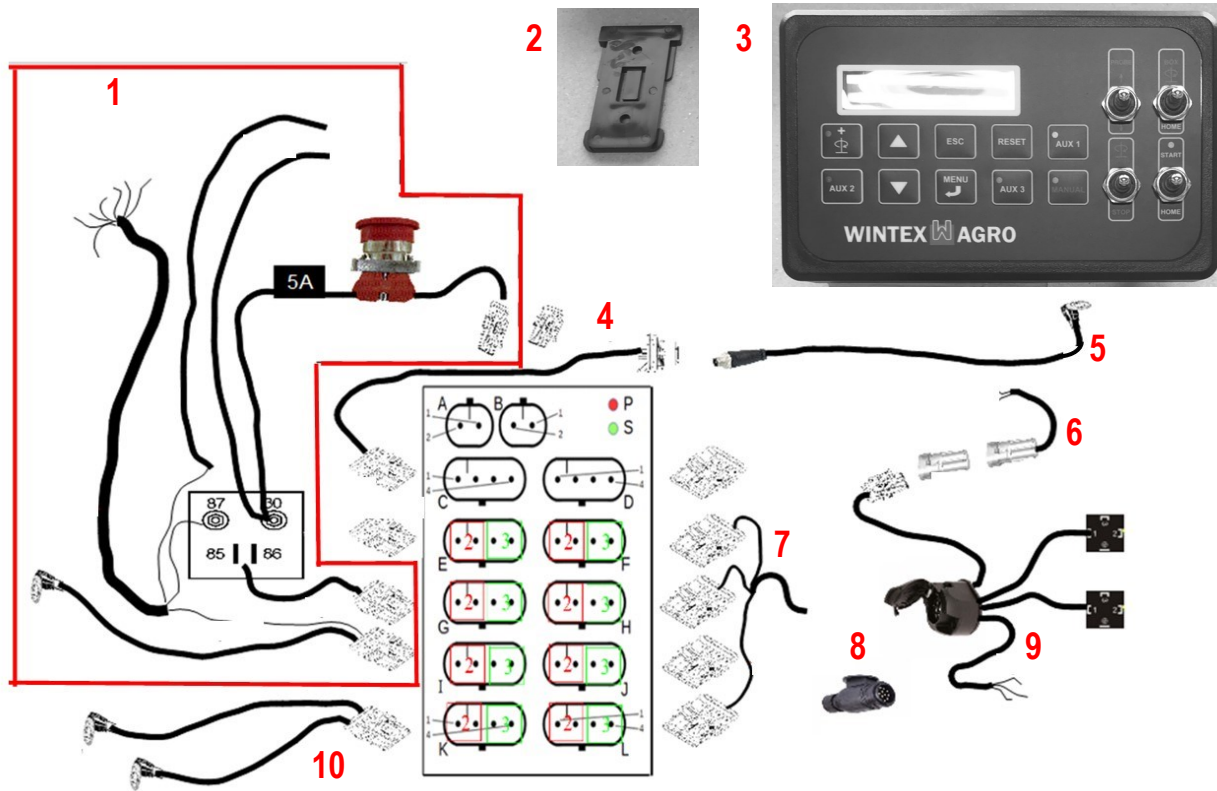
PART	ART. NO.	ARTICLE
1	15101039	Cylinder
2	15101168	Bonded seal, 1/4"
3	15101116	Nipple with compression nut, 1/4-3/8
4	15101115	Angle, 3/8
5	15101038	Male quick coupling
6	15101041	Female quick coupling
7	60101117	Counter nut, M14 mm
8	60101266	Lock nut, M14 mm
9	60101240	Insex bolt, M6x25 mm
10	60101071	Washer, M6 mm
11	60101070	Lock nut, M6 mm

Yellow cover



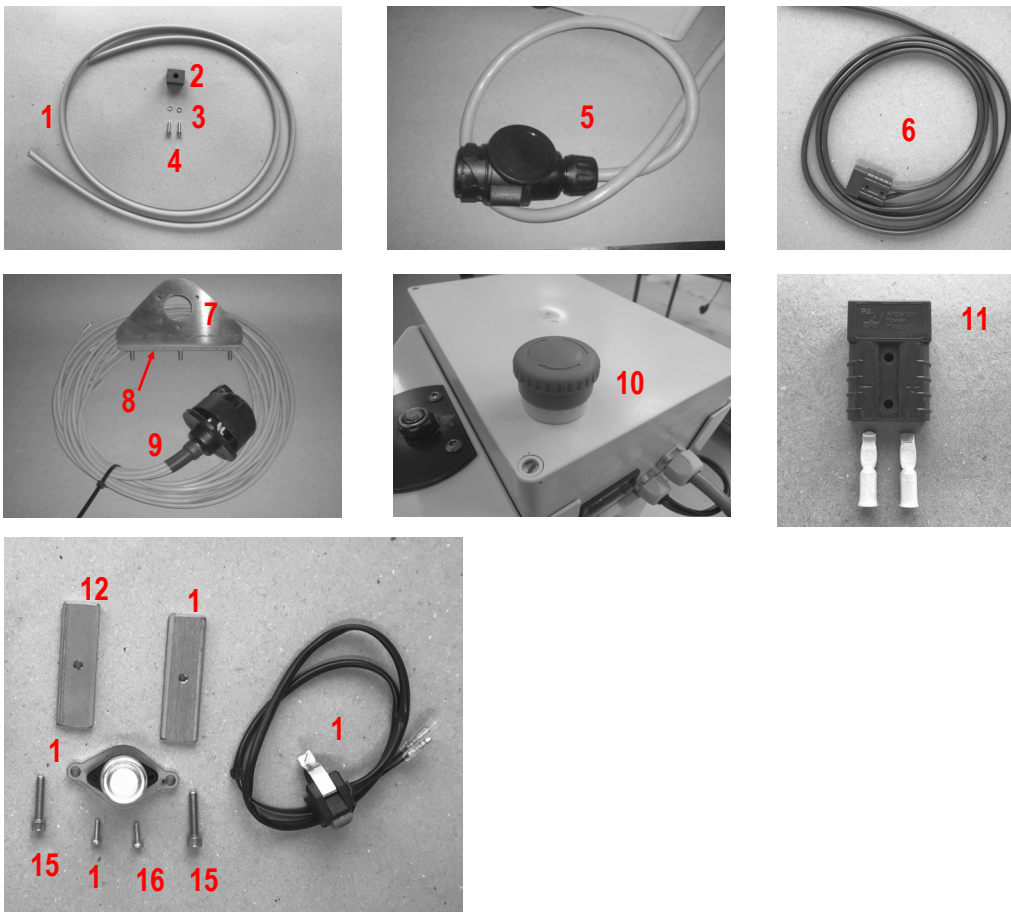
PART	ART. NO.	ARTICLE
1	15101120	Mounting plate without thread for ejector
2	15101119	Mounting plate with thread for ejector, 6 mm
3	60101286	Insex bolt low head, M6x10 mm
4	15101122	Stop for soil box
5	15101121	Spacer for ejector
6	60101287	Hex bolt, M6x16 mm
7	60101071	Washer, M6 mm

Control system



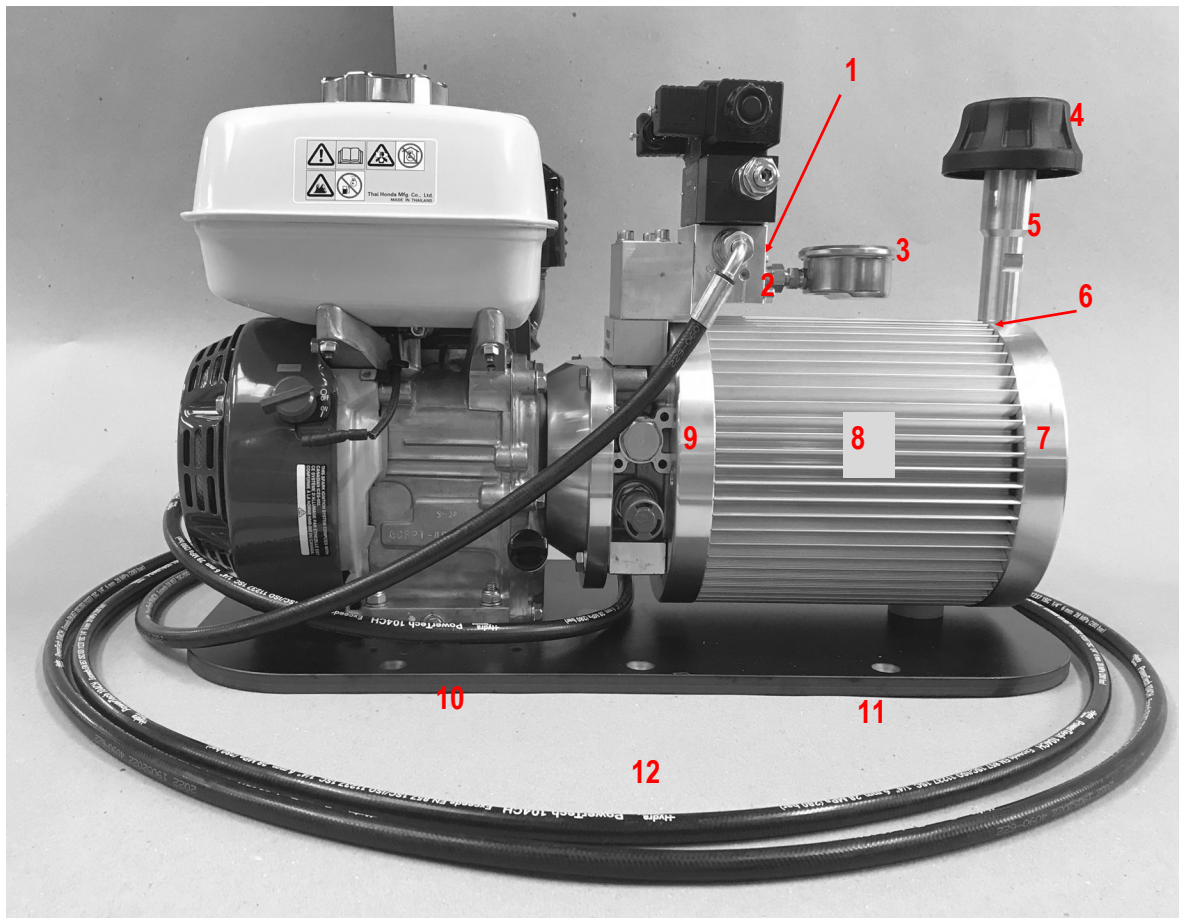
PART	ART. NO.	ARTICLE
1	15101306	Cable for control system G+I
2	50101274	Retainer for monitor
3	15101301	Monitor W1000
4	15101303	Cable for control system, C-monitor
5	15101289	Cable for monitor, 1,25 m
	15101290	Cable for monitor, 2,5 m
	15101302	Cable for monitor, 5 m
	50101249	Cable for monitor, 8 m
	50101250	Cable for monitor, 10 m
6	50101273	Cable for control system, GPS, 5 m
7	15101304	Cable for control system for 13-pole plug
8	50101109	13-pole male plug
9	15101307	Cable for control system, 13-pole for valves
10	15101305	Cable for control system, height sensors

Electrical parts



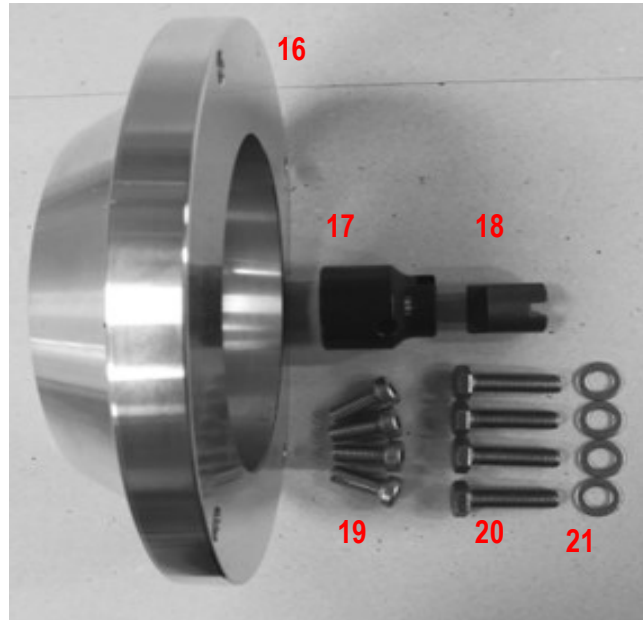
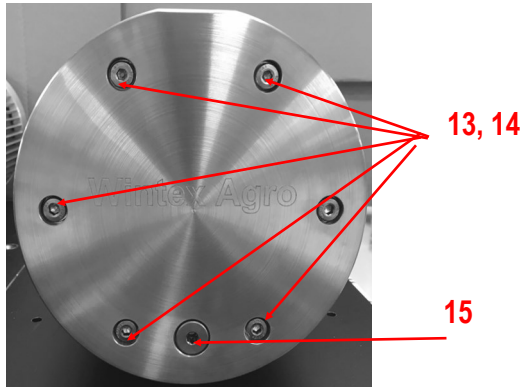
PART	ART. NO.	ARTICLE
1	15101062	Cable for DC-motor, 2,53 m
2	15101257	Cable holder, 10 mm
3	60101071	Washer, M6 mm
4	60101294	Insex bolt, M6x22 mm
5	15101124	Cable with 13-pole male plug
6	15101128	Cable with red plug, 12 V
7	15101127	Mounting for luggage carrier
8	15101272	Fitting with thread holes for mounting of luggage carrier
9	15101126	Cable with 13-pole female plug
10	15101080	Emergency stop
11	15101125	Red plug, 12 V
12	15101273	Fitting for foot switch
13	15101060	Start switch
14	15101061	Foot switch
15	60101293	Machine screw, M4x14 mm
16	60101263	Insex bolt, M6x30 mm

Hydraulics



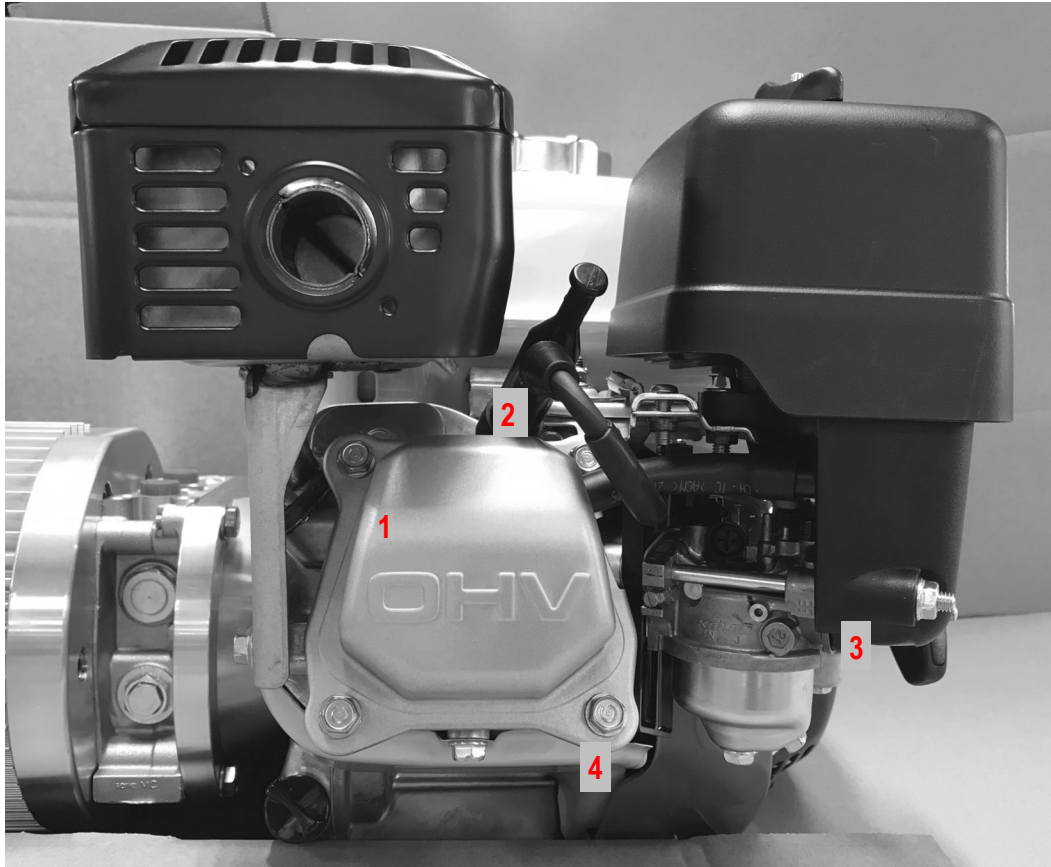
PART	ART. NO.	ARTICLE
1	15101168	Bonded seal 1/4"
2	15101252	Manometer connection
3	15101144	Manometer
4	15101196	Oil level rod with filter cap
5	50101154	Pipe for refilling of oil
6	50101182	Bonded seal 1/2"
7	50101155	Plate for oil tank, front
8	15101145-1	Aluminium pipe for oil tank, W1000
9	50101156	Plate for oil tank, back
10	15101278	Compact laminate f. Honda GX160 engine
11	50101216	Spacer for tank
12	15101148	Hoses 3000 mm

Hydraulics



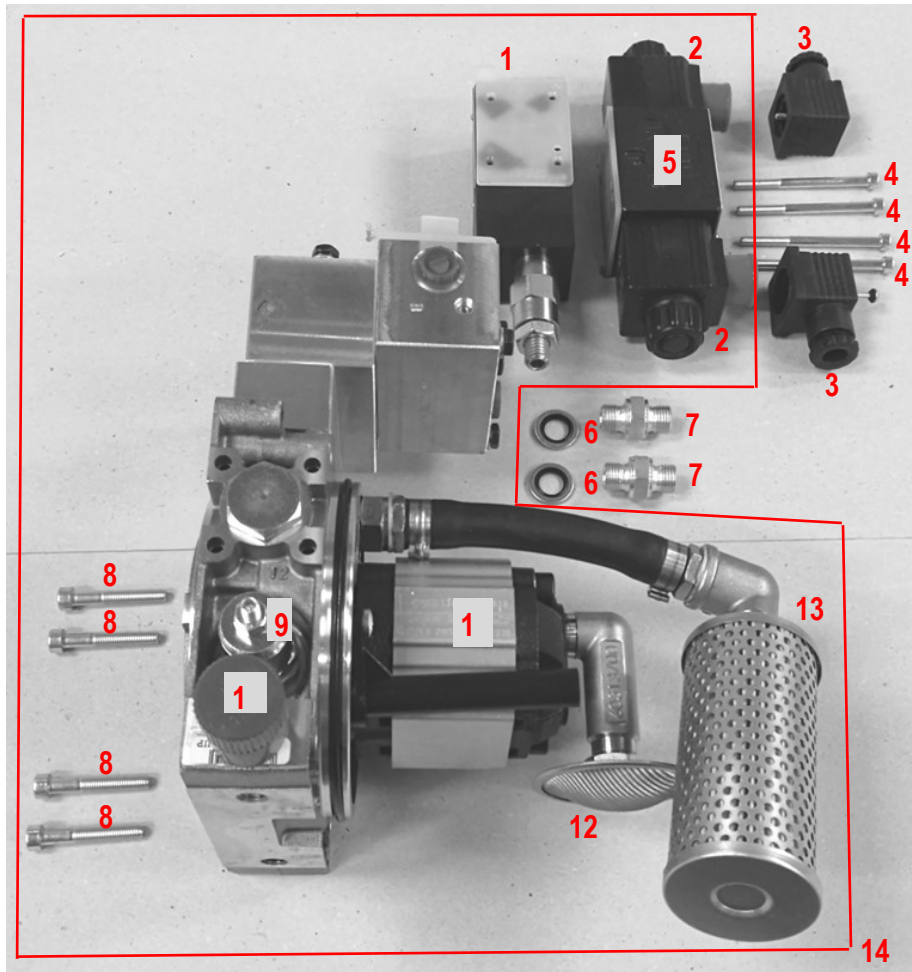
PART	ART. NO.	ARTICLE
13	60101267	Insex bolt, low head, M8x40 mm
14	15101195	Bonded seal 8 mm
15	50101180	Blind plug / drain plug
16	15101149-1 15101149-2	Flange for Honda engine 20x50 mm EU Flange for Honda engine 3/8"x58,5 mm US
17	15101150-1 15101150-2	Motor coupling f. engine 20 mm EU Motor coupling f. engine 3/8" US
18	15101184	Motor coupling f. hydraulics
19	60101283	Insex bolt, M8x20 mm
20	60101268	Hex bolt M8x30 mm
21	60101058	Washer M8 mm
-	14101057	Gasket sealer, 200 ml

Hydraulics



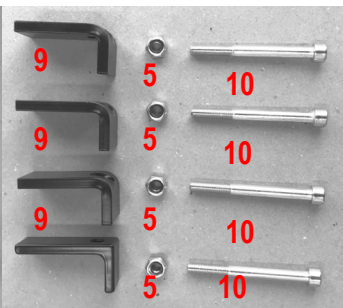
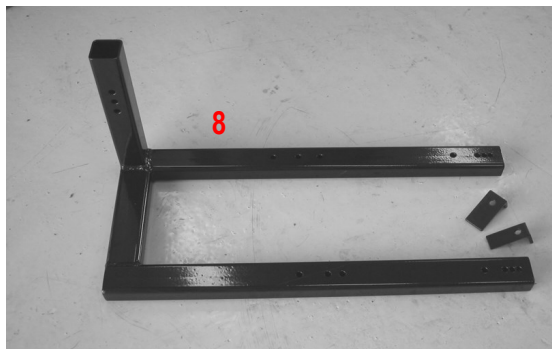
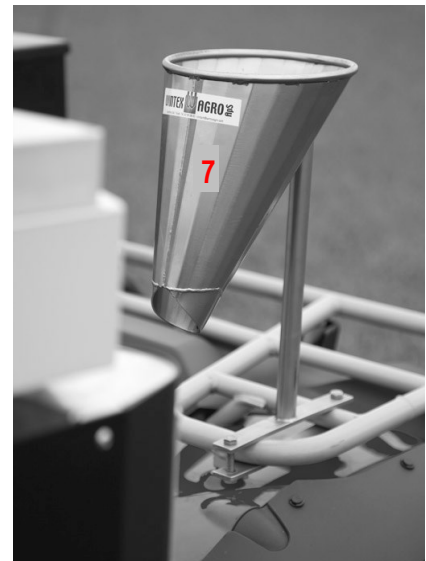
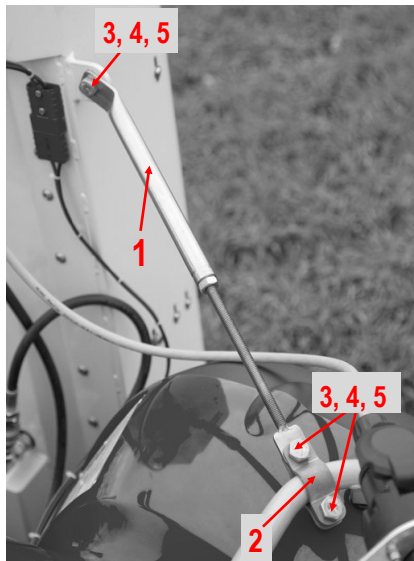
PART	ART. NO.	ARTICLE
1	15101151	Honda GX160 engine
2	14101003	Spark plug GX160/200
3	15101218	Air filter
4	14101043	Valve cover gasket GX160/200

Hydraulics



PART	ART. NO.	ARTICLE
1	15101146	Adjusting valve
2	15101143	Solenoid
3	15101141	Plug
4	60101269	Insex bolt, M5x70 mm
5	15101142	Solenoid valve
6	15101168	Bonded seal 1/4"
7	15101117	Nipple, 1/4"-1/4"
8	60101054	Insex bolt, M6x40 mm
9	15101253	Excess-pressure valve
10	50101090	Cap for excess-pressure valve
11	15101147	Pump
12	50101183	Oil strainer for hydraulic pump
13	50101179	Return filter
14	15101270	Pump with flanges, filters and valves

Various parts



PART	ART. NO.	ARTICLE
1	15101129	Tower support
2	15101174	Pipe holder
3	60101259	Hex bolt, M10x25 mm
4	60101089	Washer, M10 mm
5	60101019	Lock nut, M10 mm
6	15101131	Container for plastic boxes
7	15101132	Funnel for filling bags
8	15101075	Mounting frame
9	15101140	Mounting bracket
10	60101051	Insex bolt, M10x100 mm