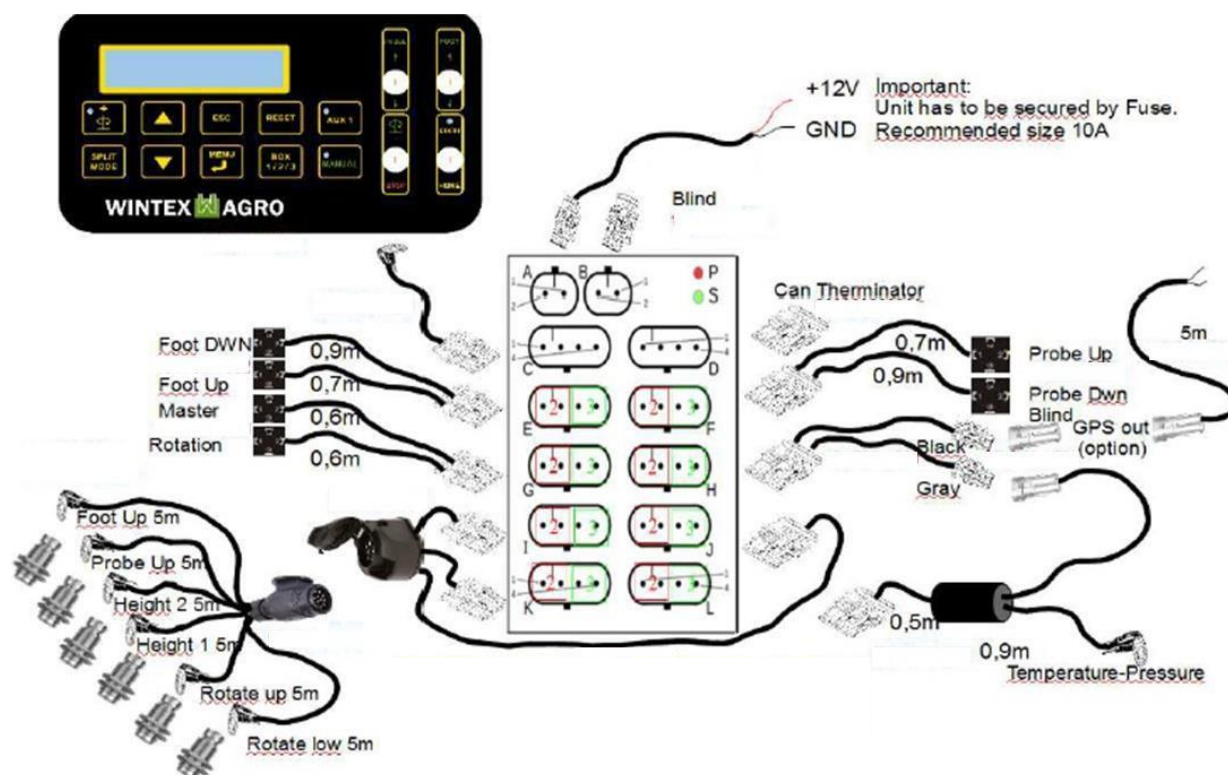


9. Now connect the sensors according to the drawing:



13-pole plug

Pin no. 1:	Probe-is-up sensor GND	black wire	I2
Pin no. 2:	Probe-is-up sensor	brown wire	I2
Pin no. 3:	Foot-is-up sensor	brown wire	I3
Pin no. 4:	Foot-is-up sensor GND	black wire	I3
Pin no. 5:	Rotation – upper – home GND	black wire	J2
Pin no. 6:	Rotation – upper – home	brown wire	J2
Pin no. 7:	Rotation – lower – step	brown wire	J3
Pin no. 8:	Rotation – lower – step GND	black wire	J3
Pin no. 9:	Height sensor 1 GND	black wire	K2 lower sensor
Pin no. 10:	Height sensor 1	brown wire	K2 lower sensor
Pin no. 11:	Height sensor 2	brown wire	K3
Pin no. 12:	Height sensor 2 GND	black wire	K3